

**Track Mounted
Heavy-Duty
Waste Recycler**

4710B Grinder

**High Production
Waste Wood
Grinding with the
Flexibility of
Track Mounting**

The Peterson 4710B horizontal grinder is a track mounted version of the popular 4700B trailer mounted horizontal grinder. It is powered by a Caterpillar C18 diesel engine with ratings from 700 to 765 horsepower. The 4710B has 18 inches (45.7 cm) of ground clearance making this model particularly suited for land clearing operations or other applications where mobility is desired. Track mounting also reduces material handling costs in conventional recycling yards.



The 4710B makes grinding more efficient just about anywhere

The 4710B features Peterson's Adaptive Control System, which controls all components of the feed system to optimize output. This system senses variations in the engine load and adapts the operating parameters to produce the maximum amount of material at all times.

Peterson's three-stage grinding process with an up turning rotor and large grate area enables the 4710B to produce materials to exact specifications. Quick-change multiple grate system makes it easy to customize grate configurations to produce a wide variety of finished materials. Grates are removed

through an access door on the side wall.

Unique to Peterson horizontal grinders is our innovative latching Impact Release System, which minimizes damage from contaminant in the feed material. The anvil and first grate open upon a severe impact, allowing contaminant to be ejected, and then re-latch to permit continuous grinding.

Another major innovation on the 4710B is Peterson's Impact Cushion System. Urethane cushions allow movement of the compression roll/anvil housing pivot shaft, cushioning impacts due to contaminants in the feed material. A shear pin helps protect the shaft from catastrophic damage in the event of a severe impact.



The Peterson 4710B is available with a pinned style rotor for demanding applications

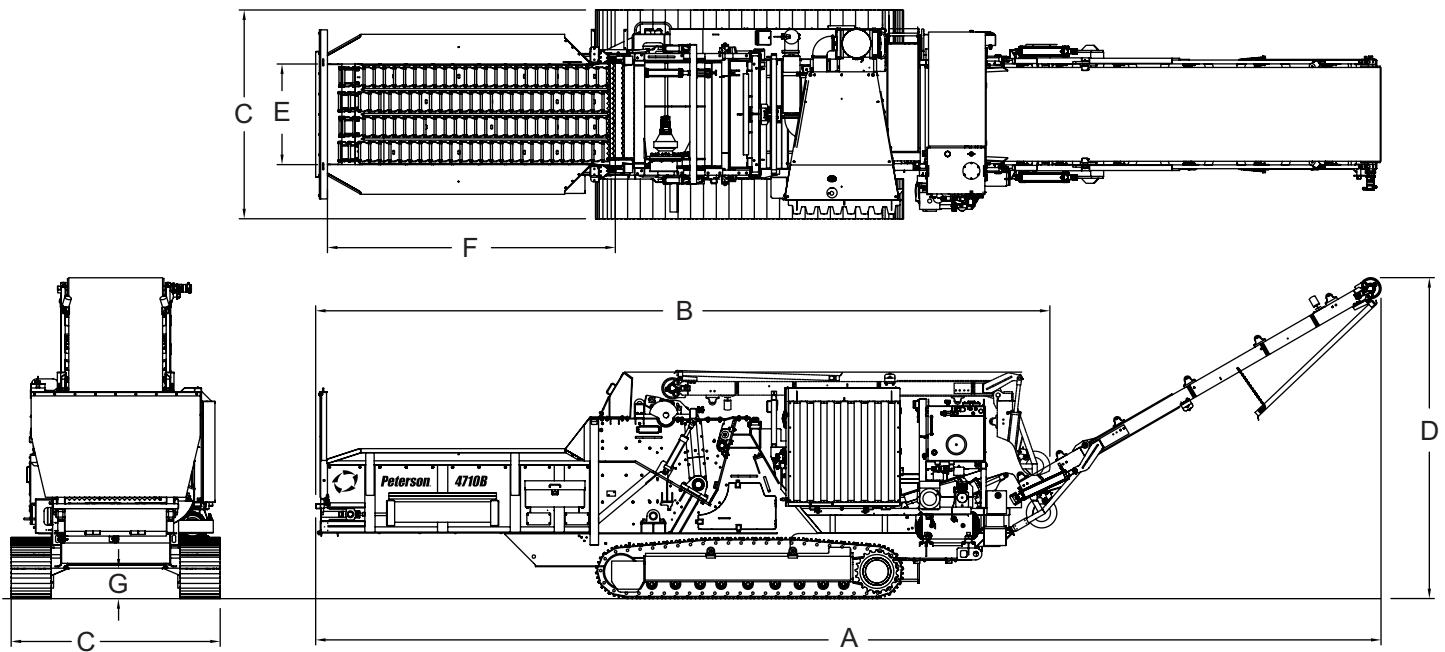
Rotor options include a "drum" style rotor for compost/mulch and forestry applications, and a "pinned" style for higher impact or contaminated applications such as construction & demolition (C&D).

Peterson specializes in developing delivery and processing equipment that turns low-grade organic materials into high value products.



Peterson
an Astec Industries Co.

4710B Horizontal Grinder Specifications



Dimensions

A Operating Length	52'-6 $\frac{1}{4}$ " (1601 cm)
B Travel Length	36'-2 $\frac{1}{4}$ " (1103 cm)
C Width	10'-3 $\frac{1}{2}$ " (314 cm)
D Discharge Height	15'-9 $\frac{3}{4}$ " (482 cm)
E Hopper Width	60" (152 cm)
F Hopper Length	14'-2" (432 cm)
G Ground Clearance	18" (45.7 cm)
Travel Height	11'-6" (351 cm)
Weight*	approx 74,000 to 79,000 lbs (33566 to 33834 kg)

*depending on configuration

Tracks

Ground Clearance	1'-6" (45.7 cm)
Undercarriage	Hitachi ZX240LC-3
Track Type	Triple Grouser, 23.6" (60 cm) wide
Travel Speed	1.2 / 2.2 mph (1.9 / 3.5 kph)
Ground Pressure	10 lbs/in ² (69 kPa)

Powertrain

Engine	Caterpillar C18
Horsepower	700-765 hp (522-570 kW) @ 2100 rpm
Clutch	Twin Disc wet disc clutch HP600S
Fuel Tank Capacity	300 U.S. gal (1136 L)
Main Hydraulic Tank Capacity	105 U.S. gal (397 L)

Feed System

Total Hopper Capacity	7.4 yd ³ (5.7 m ³)
Drag Chain Size	WDH110
Hopper Loading Height	7'-4 $\frac{3}{4}$ " (225 cm)
Feed Opening (width x height)	60" x 37 $\frac{1}{2}$ " (152 x 95 cm)
Compression Roll Diameter (tip to tip)	33 $\frac{1}{2}$ " (85 cm)

Rotor

Rotor Width	63 $\frac{1}{2}$ " (161 cm)
Rotor Speed	1050 rpm @ 2100 rpm (engine)
Rotor Diameter	38" (96.5 cm)
Number of Bits	22 drum rotor, 20 pinned rotor
Bit Size (width x height)	2 $\frac{3}{4}$ x 5" (7 x 12.7 cm)

Grate Data

Number of Grate Sections	4
Total Grate Area	4023 in ² (25955 cm ²)
Rotor Coverage	187 degrees
Grate Thickness	1" (2.54 cm) or 1 $\frac{1}{4}$ " (3.12 cm)

Discharge System

Discharge Conveyor Width	54" (137 cm)
Conveyor Speed	450 ft/min (137.20 m/min)
Discharge Height (top of head pulley)	15'-9 $\frac{3}{4}$ " (482 cm)

Optional Equipment

Air Compressor
Magnetic Pulley
Grate Hangers

Production

Greenwaste	360 yd ³ /95 US tons (275 m ³ /86 metric tons) per hour
Scrap Board	425 yd ³ /65 US tons (325 m ³ /59 metric tons) per hour

Specifications subject to change without notice

PETERSON an Astec Industries Company

PO Box 40490 • Eugene, OR 97404 • Tel 800.269.6520 Fax 541.689.0804 • www.petersoncorp.com

