

E1250A REMIXING TRANSFER VEHICLE



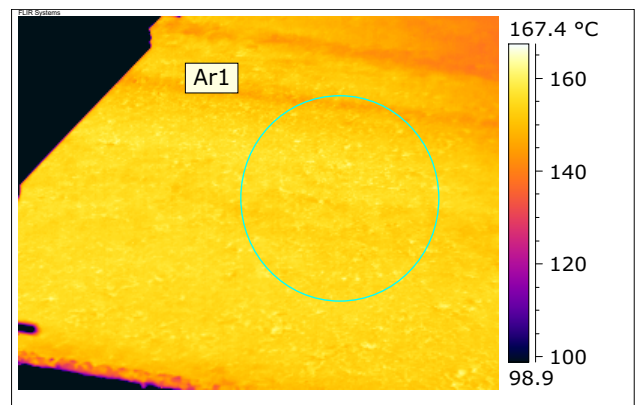
DESIGNED WITH THE OPERATOR IN MIND



WEILER E1250A REMIXING TRANSFER VEHICLE

THE E1250A ALLOWS FOR NON-CONTACT, NON-STOP PAVING.

The operator is given even more surge capacity by adding the optional hopper insert for the paver. This unit is also very versatile allowing for offset paving over barriers, string lines or any obstacle making it difficult to get trucks in front of the paver for inline paving.



REMIX HOPPER

Twin interlaced augers remix both size and temperature segregated particles and narrow the material to enter the conveyor. The cover over the drop through position forces all of the material to be mixed by the auger flight. Other mixing systems cover and fill the augers rendering their mixing ability ineffective.



OPERATOR'S STATION

The operator's station can be positioned on either side of the machine by simply lifting a spring-loaded pin and swiveling the panel. The operator can adjust the steering wheel to a desired position with the standard tilt wheel feature.



CONVEYOR & ELEVATOR DROP OUT FLOOR

Clean out of the conveyor and elevator is made easy. Whether cleaning the machine or performing maintenance, this feature is sure to make the crew and service personnel jobs easier.



FOUR-WHEEL PLANETARY DRIVE SYSTEM

The four-wheel Caterpillar planetary drive system maximizes pushing power while allowing for a tighter turning radius and lower center of gravity.



SHIFTING PLATFORM

The platform is capable of shifting 12 inches to either side of the machine for better visibility to the truck driver as well as the paver.



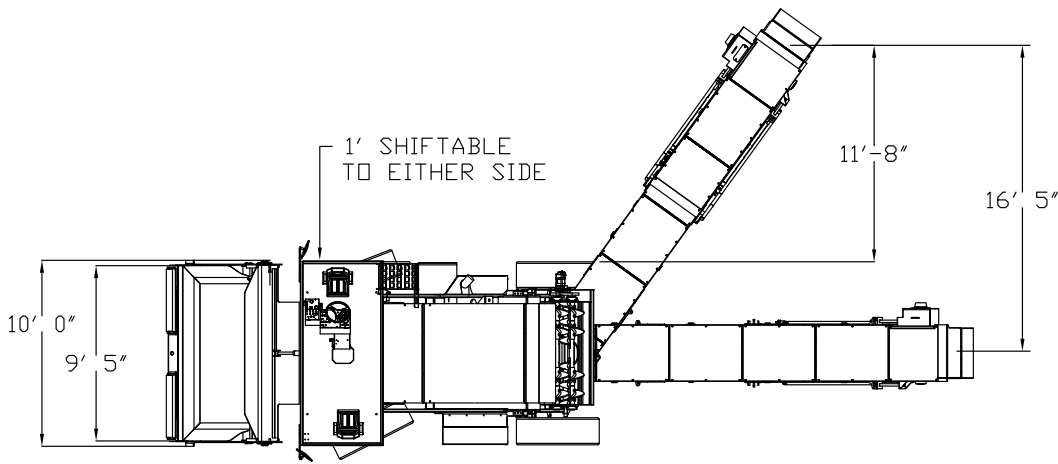
DIRECT DRIVE MOTORS REDUCE NUMBER OF WEAR PARTS AND INCREASE RELIABILITY

The elevator is direct drive with two high-torque hydraulic Motors, the conveyor is driven with one. There are no gearbox seals, bearings or fluids to worry about. The loop flush valve keeps the motor cool.



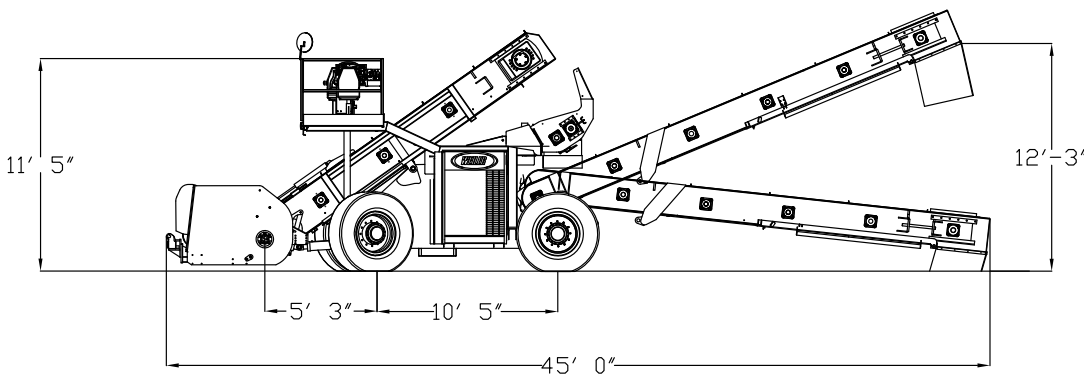
MAIN CONTROLS AT YOUR FINGERTIPS

All of the commonly used functions are located based on real operator input. A manual push-button override allows the operator to run the elevator at max capacity without changing the preset running speed. This provides for quick catch up if a truck is delayed getting to the hopper.



STANDARD EQUIPMENT:

- Wash down system w/50 ft hose reel and separate tank
- Dual operator seats
- Work lights
- Hydraulic extendable, oscillating push roller
- Rear control panel



OPTIONS:

- Remixing hopper
- Window attachment
- Truck hitch
- Ground speed indicator
- Rotating beacon
- Work lights on conveyor
- Hydraulic 9 KW generator
- 13 Ton Hopper insert
- 8 Ton Insert extension
- 5 Ton Insert extension

E1250A ELEVATOR SPECIFICATIONS

Engine	CAT C7-250 HP, Tier III	Fuel Tank Capacity	150 gal
Weight	49,500 lbs	Conveyor Drive	Hydrostatic with Direct Drive High Torque Motor
Height	138"	Conveyor Slat Width	30"
Length	540"	Elevator Drive	Hydrostatic with 2 Direct Drive High Torque Motors
Hydraulic Tank Capacity	100 gal	Elevator Slat Width	58"
Transport Speed (MAX)	9.8 MPH	Ground Drive	4 Wheel Hydrostatic with 2 Speed Motors and Planetary Drives
Working Speed (MAX)	2.3 MPH	Truck Unloading Hopper Width	113"
Tires	High Flotation 17.5" x 25" 20 ply	Unloading Hopper Auger Diameter	22"

Weiler reserves the right to make changes in engineering, design, and specifications, and to make improvements at any time without notice or obligation.



Weiler
 815 Newbold Drive
 P.O. Box 289
 Knoxville, IA 50138
 Phone: (641) 828-6622
 Fax: (641) 828-6612
www.weilerproducts.com

