

216, 226 (60 inch Bucket)

Part Number	Tire Assembly Diameter	Section Width	Wheel Diameter	Ply Rating	Description	Side	Wheel Width	Mount				Offset	Outset/ Inset
								Number of Bolt Holes	Bolt Circle	Pilot Hole			
XD													
142-7485	254 mm (10 in)	254 mm (10 in)	419 mm (16.5 in)	--	Wheel	--	210 mm (8.2 in)	8	203 mm (8 in)	152 mm (6 in)	6 mm (0.25 in)	Outset	
222-3962	777 mm (30.6 in)	254 mm (10 in)	419 mm (16.5 in)	10	Tire	--	--	--	--	--	--	--	
Extreme Duty Solid													
187-1279	787 mm (31 in)	127 mm (5 in)	177 mm (7 in)	--	Tire/ Wheel Assembly	Left/ Right	--	8	203 mm (8 in)	152 mm (6 in)	51 mm (2 in)	Outset	
Flexport													
226-3736	787 mm (31 in)	152 mm (6 in)	254 mm (10 in)	--	Tire/ Wheel Assembly	Left / Right	--	8	203 mm (8 in)	152 mm (6 in)	14 mm (0.55 in)	Inset	
226-3737	787 mm (31 in)	152 mm (6 in)	254 mm (10 in)	--	Tire/ Wheel Assembly	Left / Right	--	8	203 mm (8 in)	152 mm (6 in)	14 mm (0.55 in)	Inset	
Non-Marking Flexport													
250-2275	787 mm (31 in)	152 mm (6 in)	254 mm (10 in)	--	Tire/ Wheel Assembly	Right	--	8	203 mm (8 in)	152 mm (6 in)	27 mm (1.05 in)	Outset	
250-2276	787 mm (31 in)	152 mm (6 in)	254 mm (10 in)	--	Tire/ Wheel Assembly	Left	--	8	203 mm (8 in)	152 mm (6 in)	27 mm (1.05 in)	Outset	
Premium Conventional													
142-7485	254 mm (10 in)	254 mm (10 in)	419 mm (16.5 in)	--	Wheel	--	210 mm (8.2 in)	8	203 mm (8 in)	152 mm (6 in)	6 mm (0.25 in)	Outset	
185-8678	--	254 mm (10 in)	419 mm (16.5 in)	8	Tire/ Wheel Assembly	Left	210 mm (8.2 in)	8	203 mm (8 in)	152 mm (6 in)	6 mm (0.25 in)	Outset	
185-8679	--	254 mm (10 in)	419 mm (16.5 in)	8	Tire/ Wheel Assembly	Right	210 mm (8.2 in)	8	203 mm (8 in)	152 mm (6 in)	6 mm (0.25 in)	Outset	
185-9932	785 mm (30.9 in)	254 mm (10 in)	419 mm (16.5 in)	8	Tire	--	--	--	--	--	--	--	

216, 226 (66 inch Bucket)

Part Number	Tire Assembly Diameter	Section Width	Wheel Diameter	Ply Rating	Description	Side	Wheel Width	Mount				Offset	Outset/ Inset
								Number of Bolt Holes	Bolt Circle	Pilot Hole			
XD													
142-7490	--	--	419 mm (16.5 in)	--	Wheel	--	210 mm (8.2 in)	8	203 mm (8 in)	152 mm (6 in)	82 mm (3.25 in)	Outset	
222-3962	777 mm (30.6 in)	254 mm (10 in)	419 mm (16.5 in)	10	Tire	--	--	--	--	--	--	--	
Extreme Duty Solid													
187-1279	787 mm (31 in)	127 mm (5 in)	177 mm (7 in)	--	Tire/ Wheel Assembly	Left/ Right	--	8	203 mm (8 in)	152 mm (6 in)	51 mm (2 in)	Outset	
Flexport													
226-3736	787 mm (31 in)	152 mm (6 in)	254 mm (10 in)	--	Tire/ Wheel Assembly	Left / Right	--	8	203 mm (8 in)	152 mm (6 in)	14 mm (0.55 in)	Inset	
226-3737	787 mm (31 in)	152 mm (6 in)	254 mm (10 in)	--	Tire/ Wheel Assembly	Left / Right	--	8	203 mm (8 in)	152 mm (6 in)	14 mm (0.55 in)	Inset	
Non-Marking Flexport													
250-2275	787 mm (31 in)	152 mm (6 in)	254 mm (10 in)	--	Tire/ Wheel Assembly	Right	--	8	203 mm (8 in)	152 mm (6 in)	27 mm (1.05 in)	Outset	
250-2276	787 mm (31 in)	152 mm (6 in)	254 mm (10 in)	--	Tire/ Wheel Assembly	Left	--	8	203 mm (8 in)	152 mm (6 in)	27 mm (1.05 in)	Outset	

Tire and Wheel Application — Caterpillar Machine

(Continued)

216, 226 (66 inch Bucket) (Continued)

Part Number	Tire Assembly Diameter	Section Width	Wheel Diameter	Ply Rating	Description	Side	Wheel Width	Mount			Offset	Outset/ Inset
								Number of Bolt Holes	Bolt Circle	Pilot Hole		
Premium Conventional												
142-7490	--	--	419 mm (16.5 in)	--	Wheel	--	210 mm (8.2 in)	8	203 mm (8 in)	152 mm (6 in)	82 mm (3.25 in)	Outset
185-9926	--	254 mm (10 in)	419 mm (16.5 in)	8	Tire/ Wheel Assembly	Left	--	8	203 mm (8 in)	152 mm (6 in)	82 mm (3.25 in)	Outset
185-9927	--	254 mm (10 in)	419 mm (16.5 in)	8	Tire/ Wheel Assembly	Right	--	8	203 mm (8 in)	152 mm (6 in)	82 mm (3.25 in)	Outset
185-9932	785 mm (30.9 in)	254 mm (10 in)	419 mm (16.5 in)	8	Tire	--	--	--	--	--	--	--
Premium Conventional Flotation												
178-2270	--	--	419 mm (16.5 in)	--	Wheel	--	305 mm (12 in)	8	203 mm (8 in)	152 mm (6 in)	44 mm (1.75 in)	Outset
199-5434	787 mm (31 in)	394 mm (15 in)	419 mm (16.5 in)	8	Tire/ Wheel Assembly	Left	--	8	203 mm (8 in)	152 mm (6 in)	44 mm (1.75 in)	Outset
199-5435	787 mm (31 in)	394 mm (15 in)	419 mm (16.5 in)	8	Tire/ Wheel Assembly	Right	--	8	203 mm (8 in)	152 mm (6 in)	44 mm (1.75 in)	Outset
199-5436	787 mm (31 in)	393 mm (15 in)	419 mm (16.5 in)	8	Tire	--	--	--	--	--	--	--

228, 232 (60 inch bucket)

Part Number	Tire Assembly Diameter	Section Width	Wheel Diameter	Description	Side	Wheel Width	Mount			Offset	Outset/ Inset
							Number of Bolt Holes	Bolt Circle	Pilot Hole		
XD											
142-7485	254 mm (10 in)	254 mm (10 in)	419 mm (16.5 in)	Wheel	--	210 mm (8.2 in)	8	203 mm (8 in)	152 mm (6 in)	6 mm (0.25 in)	Outset
222-3962	777 mm (31 in)	254 mm (10 in)	419 mm (16.5 in)	Tire	--	--	--	--	--	--	--
Extreme Duty Solid											
187-1279	787 mm (31 in)	127 mm (5 in)	177 mm (7 in)	Tire/ Wheel Assembly	Left/ Right	--	8	203 mm (8 in)	152 mm (6 in)	51 mm (2 in)	Outset
Flexport											
226-3736	787 mm (31 in)	152 mm (6 in)	254 mm (10 in)	Tire/ Wheel Assembly	Left / Right	--	8	203 mm (8 in)	152 mm (6 in)	14 mm (0.55 in)	Inset
226-3737	787 mm (31 in)	152 mm (6 in)	254 mm (10 in)	Tire/ Wheel Assembly	Left / Right	--	8	203 mm (8 in)	152 mm (6 in)	14 mm (0.55 in)	Inset
Non-Marking Flexport											
250-2275	787 mm (31 in)	152 mm (6 in)	254 mm (10 in)	Tire/ Wheel Assembly	Right	--	8	203 mm (8 in)	152 mm (6 in)	27 mm (1.05 in)	Outset
250-2276	787 mm (31 in)	152 mm (6 in)	254 mm (10 in)	Tire/ Wheel Assembly	Left	--	8	203 mm (8 in)	152 mm (6 in)	27 mm (1.05 in)	Outset
Premium Conventional											
142-7485	254 mm (10 in)	254 mm (10 in)	419 mm (16.5 in)	Wheel	--	210 mm (8.2 in)	8	203 mm (8 in)	152 mm (6 in)	6 mm (0.25 in)	Outset
185-8678	--	254 mm (10 in)	419 mm (16.5 in)	Tire/ Wheel Assembly	Left	210 mm (8.2 in)	8	203 mm (8 in)	152 mm (6 in)	6 mm (0.25 in)	Outset
185-8679	--	254 mm (10 in)	419 mm (16.5 in)	Tire/ Wheel Assembly	Right	210 mm (8.2 in)	8	203 mm (8 in)	152 mm (6 in)	6 mm (0.25 in)	Outset
185-9932	785 mm (31 in)	254 mm (10 in)	419 mm (16.5 in)	Tire	--	--	--	--	--	--	--

228, 232 (66 inch bucket)

Part Number	Tire Assembly Diameter	Section Width	Wheel Diameter	Description	Side	Wheel Width	Mount			Offset	Outset/ Inset
							Number of Bolt Holes	Bolt Circle	Pilot Hole		
XD											
142-7490	--	--	419 mm (16.5 in)	Wheel	--	210 mm (8.2 in)	8	203 mm (8 in)	152 mm (6 in)	82 mm (3.25 in)	Outset
222-3962	777 mm (30.6 in)	254 mm (10 in)	419 mm (16.5 in)	Tire	--	--	--	--	--	--	--
Extreme Duty Solid											
187-1279	787 mm (31 in)	127 mm (5 in)	177 mm (7 in)	Tire/ Wheel Assembly	Left/ Right	--	8	203 mm (8 in)	152 mm (6 in)	51 mm (2 in)	Outset
Flexport											
226-3736	787 mm (31 in)	152 mm (6 in)	254 mm (10 in)	Tire/ Wheel Assembly	Left / Right	--	8	203 mm (8 in)	152 mm (6 in)	14 mm (0.55 in)	Inset
226-3737	787 mm (31 in)	152 mm (6 in)	254 mm (10 in)	Tire/ Wheel Assembly	Left / Right	--	8	203 mm (8 in)	152 mm (6 in)	14 mm (0.55 in)	Inset
Non-Marking Flexport											
250-2275	787 mm (31 in)	152 mm (6 in)	254 mm (10 in)	Tire/ Wheel Assembly	Right	--	8	203 mm (8 in)	152 mm (6 in)	27 mm (1.05 in)	Outset
250-2276	787 mm (31 in)	152 mm (6 in)	254 mm (10 in)	Tire/ Wheel Assembly	Left	--	8	203 mm (8 in)	152 mm (6 in)	27 mm (1.05 in)	Outset

Tire and Wheel Application — Caterpillar Machine

(Continued)

228, 232 (66 inch bucket) (Continued)

Part Number	Tire Assembly Diameter	Section Width	Wheel Diameter	Description	Side	Wheel Width	Mount			Offset	Outset/Inset
							Number of Bolt Holes	Bolt Circle	Pilot Hole		
Premium Conventional											
142-7490	--	--	419 mm (16.5 in)	Wheel	--	210 mm (8.2 in)	8	203 mm (8 in)	152 mm (6 in)	82 mm (3.25 in)	Outset
185-9926	--	254 mm (10 in)	419 mm (16.5 in)	Tire/ Wheel Assembly	Left	--	8	203 mm (8 in)	152 mm (6 in)	82 mm (3.25 in)	Outset
185-9927	--	254 mm (10 in)	419 mm (16.5 in)	Tire/ Wheel Assembly	Right	--	8	203 mm (8 in)	152 mm (6 in)	82 mm (3.25 in)	Outset
185-9932	785 mm (30.9 in)	254 mm (10 in)	419 mm (16.5 in)	Tire	--	--	--	--	--	--	--
Premium Conventional Flotation											
178-2270	--	--	419 mm (16.5 in)	Wheel	--	305 mm (12 in)	8	203 mm (8 in)	152 mm (6 in)	44 mm (1.75 in)	Outset
199-5434	787 mm (31 in)	394 mm (15.5 in)	419 mm (16.5 in)	Tire/ Wheel Assembly	Left	--	8	203 mm (8 in)	152 mm (6 in)	44 mm (1.75 in)	Outset
199-5435	787 mm (31 in)	394 mm (15.5 in)	419 mm (16.5 in)	Tire/ Wheel Assembly	Right	--	8	203 mm (8 in)	152 mm (6 in)	44 mm (1.75 in)	Outset
199-5436	787 mm (31 in)	393 mm (15.5 in)	419 mm (16.5 in)	Tire	--	--	--	--	--	--	--

236 (66 inch bucket)

Part Number	Tire Assembly Diameter	Section Width	Wheel Diameter	Ply Rating	Description	Side	Wheel Width	Number of Bolt Holes	Mount			Outset/ Inset
									Bolt Circle	Pilot Hole	Offset	
XD												
142-8759	--	--	419 mm (16.5 in)	--	Wheel	--	247 mm (9.7 in)	8	203 mm (8 in)	152 mm (6 in)	10 mm (0.39 in)	Outset
222-3963	--	304 mm (12 in)	419 mm (16.5 in)	14	Tire	--	--	--	--	--	--	--
Extreme Duty Solid												
187-3230	838 mm (33 in)	152 mm (6 in)	203 mm (8 in)	--	Tire/ Wheel Assembly	Left/ Right	--	8	203 mm (8 in)	152 mm (6 in)	51 mm (2 in)	Outset
Flexport												
226-3734	838 mm (33 in)	152 mm (6 in)	279 mm (11 in)	--	Tire/ Wheel Assembly	Left / Right	508 mm (20 in)	8	203 mm (8 in)	152 mm (6 in)	27 mm (1.05 in)	Inset
226-3735	838 mm (33 in)	152 mm (6 in)	279 mm (11 in)	--	Tire/ Wheel Assembly	Left / Right	508 mm (20 in)	8	203 mm (8 in)	152 mm (6 in)	27 mm (1.05 in)	Inset
Non-Marking Flexport												
250-2277	838 mm (33 in)	152 mm (6 in)	279 mm (11 in)	--	Tire/ Wheel Assembly	Right	--	8	203 mm (8 in)	152 mm (6 in)	39 mm (1.55 in)	Outset
250-2278	838 mm (33 in)	152 mm (6 in)	279 mm (11 in)	--	Tire/ Wheel Assembly	Left	--	8	203 mm (8 in)	152 mm (6 in)	39 mm (1.55 in)	Outset
Premium Conventional												
142-8759	--	--	419 mm (16.5 in)	--	Wheel	--	247 mm (9.7 in)	8	203 mm (8 in)	152 mm (6 in)	10 mm (0.39 in)	Outset
185-9928	--	305 mm (12 in)	419 mm (16.5 in)	10	Tire/ Wheel Assembly	Left	247 mm (9.7 in)	8	203 mm (8 in)	152 mm (6 in)	10 mm (0.39 in)	Outset
185-9929	--	305 mm (12 in)	419 mm (16.5 in)	10	Tire/ Wheel Assembly	Right	247 mm (9.7 in)	8	203 mm (8 in)	152 mm (6 in)	10 mm (0.39 in)	Outset
185-9933	--	304 mm (12 in)	419 mm (16.5 in)	10	Tire	--	--	--	--	--	--	--

236 (72 inch bucket)

Part Number	Tire Assembly Diameter	Section Width	Wheel Diameter	Ply Rating	Description	Side	Wheel Width	Number of Bolt Holes	Mount			Outset/ Inset
									Bolt Circle	Pilot Hole	Offset	
XD												
142-8731	--	--	419 mm (16.5 in)	-	Wheel	--	247 mm (9.7 in)	8	203 mm (8 in)	152 mm (6 in)	86 mm (3.39 in)	Outset
222-3963	--	304 mm (12 in)	419 mm (16.5 in)	14	Tire	--	--	--	--	--	--	--
Extreme Duty Solid												
187-3230	838 mm (33 in)	152 mm (6 in)	203 mm (8 in)	--	Tire/ Wheel Assembly	Left/ Right	--	8	203 mm (8 in)	152 mm (6 in)	51 mm (2 in)	Outset
Flexport												
226-3735	838 mm (33 in)	152 mm (6 in)	279 mm (11 in)	--	Tire/ Wheel Assembly	Left / Right	508 mm (20 in)	8	203 mm (8 in)	152 mm (6 in)	27 mm (1.05 in)	Inset
226-3734	838 mm (33 in)	152 mm (6 in)	279 mm (11 in)	--	Tire/ Wheel Assembly	Left / Right	508 mm (20 in)	8	203 mm (8 in)	152 mm (6 in)	27 mm (1.05 in)	Inset
Non-Marking Flexport												
250-2278	838 mm (33 in)	152 mm (6 in)	279 mm (11 in)	--	Tire/ Wheel Assembly	Left	--	8	203 mm (8 in)	152 mm (6 in)	39 mm (1.55 in)	Outset
250-2277	838 mm (33 in)	152 mm (6 in)	279 mm (11 in)	--	Tire/ Wheel Assembly	Right	--	8	203 mm (8 in)	152 mm (6 in)	39 mm (1.55 in)	Outset

Tire and Wheel Application — Caterpillar Machine

(Continued)

236 (72 inch bucket) (Continued)

Part Number	Tire Assembly Diameter	Section Width	Wheel Diameter	Ply Rating	Description	Side	Wheel Width	Number of Bolt Holes	Mount			Outset/ Inset
									Bolt Circle	Pilot Hole	Offset	
Premium Conventional												
142-8731	--	--	419 mm (16.5 in)	-	Wheel	--	247 mm (9.7 in)	8	203 mm (8 in)	152 mm (6 in)	86 mm (3.39 in)	Outset
185-9931	--	305 mm (12 in)	419 mm (16.5 in)	10	Tire/ Wheel Assembly	Right	247 mm (9.7 in)	8	203 mm (8 in)	152 mm (6 in)	86 mm (3.39 in)	Outset
185-9930	--	305 mm (12 in)	419 mm (16.5 in)	10	Tire/ Wheel Assembly	Left	247 mm (9.7 in)	8	203 mm (8 in)	152 mm (6 in)	86 mm (3.39 in)	Outset
185-9933	--	304 mm (12 in)	419 mm (16.5 in)	10	Tire	--	--	--	--	--	--	--
Premium Conventional Flotation												
178-2270	--	--	419 mm (16.5 in)	--	Wheel	--	305 mm (12 in)	8	203 mm (8 in)	152 mm (6 in)	44 mm (1.75 in)	Outset
199-5438	838 mm (33 in)	394 mm (15 in)	419 mm (16.5 in)	12	Tire/ Wheel Assembly	Left	305 mm (12 in)	8	203 mm (8 in)	152 mm (6 in)	44 mm (1.75 in)	Outset
199-5440	838 mm (33 in)	393 mm (15 in)	419 mm (16.5 in)	12	Tire	--	--	--	--	--	--	--

242 (60 inch bucket)

Part Number	Tire Assembly Diameter	Section Width	Wheel Diameter	Ply Rating	Description	Side	Wheel Width	Mount				Offset	Outset/ Inset
								Number of Bolt Holes	Bolt Circle	Pilot Hole			
XD													
222-3963	--	304 mm (12 in)	419 mm (16.5 in)	14	Tire	--	--	--	--	--	--	--	
142-8759	--	--	419 mm (16.5 in)	--	Wheel	--	247 mm (9.7 in)	8	203 mm (8 in)	152 mm (6 in)	10 mm (0.39 in)	Outset	
Extreme Duty Solid													
187-3230	838 mm (33 in)	152 mm (6 in)	203 mm (8 in)	--	Tire/ Wheel Assembly	Left/ Right	--	8	203 mm (8 in)	152 mm (6 in)	51 mm (2 in)	Outset	
Flexport													
226-3734	838 mm (33 in)	152 mm (6 in)	279 mm (11 in)	--	Tire/ Wheel Assembly	Left / Right	508 mm (20 in)	8	203 mm (8 in)	152 mm (6 in)	27 mm (1.05 in)	Inset	
226-3735	838 mm (33 in)	152 mm (6 in)	279 mm (11 in)	--	Tire/ Wheel Assembly	Left / Right	508 mm (20 in)	8	203 mm (8 in)	152 mm (6 in)	27 mm (1.05 in)	Inset	
Non-Marking Flexport													
250-2277	838 mm (33 in)	152 mm (6 in)	279 mm (11 in)	--	Tire/ Wheel Assembly	Right	--	8	203 mm (8 in)	152 mm (6 in)	39 mm (1.55 in)	Outset	
250-2278	838 mm (33 in)	152 mm (6 in)	279 mm (11 in)	--	Tire/ Wheel Assembly	Left	--	8	203 mm (8 in)	152 mm (6 in)	39 mm (1.55 in)	Outset	
Premium Conventional													
185-9933	--	304 mm (12 in)	419 mm (16.5 in)	10	Tire	--	--	--	--	--	--	--	
142-8759	--	--	419 mm (16.5 in)	--	Wheel	--	247 mm (9.7 in)	8	203 mm (8 in)	152 mm (6 in)	10 mm (0.39 in)	Outset	
185-9928	--	305 mm (12 in)	419 mm (16.5 in)	10	Tire/ Wheel Assembly	Left	247 mm (9.7 in)	8	203 mm (8 in)	152 mm (6 in)	10 mm (0.39 in)	Outset	
185-9929	--	305 mm (12 in)	419 mm (16.5 in)	10	Tire/ Wheel Assembly	Right	247 mm (9.7 in)	8	203 mm (8 in)	152 mm (6 in)	10 mm (0.39 in)	Outset	

242 (66 inch bucket)

Part Number	Tire Assembly Diameter	Section Width	Wheel Diameter	Ply Rating	Description	Side	Wheel Width	Mount				Offset	Outset/ Inset
								Number of Bolt Holes	Bolt Circle	Pilot Hole			
XD													
142-8731	--	--	419 mm (16.5 in)	-	Wheel	--	247 mm (9.7 in)	8	203 mm (8 in)	152 mm (6 in)	86 mm (3.39 in)	Outset	
222-3963	--	304 mm (12 in)	419 mm (16.5 in)	14	Tire	--	--	--	--	--	--	--	
Extreme Duty Solid													
187-3230	838 mm (33 in)	152 mm (6 in)	203 mm (8 in)	--	Tire/ Wheel Assembly	Left/ Right	--	8	203 mm (8 in)	152 mm (6 in)	51 mm (2 in)	Outset	
Flexport													
226-3734	838 mm (33 in)	152 mm (6 in)	279 mm (11 in)	--	Tire/ Wheel Assembly	Left / Right	508 mm (20 in)	8	203 mm (8 in)	152 mm (6 in)	27 mm (1.05 in)	Inset	
226-3735	838 mm (33 in)	152 mm (6 in)	279 mm (11 in)	--	Tire/ Wheel Assembly	Left / Right	508 mm (20 in)	8	203 mm (8 in)	152 mm (6 in)	27 mm (1.05 in)	Inset	
Non-Marking Flexport													
250-2277	838 mm (33 in)	152 mm (6 in)	279 mm (11 in)	--	Tire/ Wheel Assembly	Right	--	8	203 mm (8 in)	152 mm (6 in)	39 mm (1.55 in)	Outset	
250-2278	838 mm (33 in)	152 mm (6 in)	279 mm (11 in)	--	Tire/ Wheel Assembly	Left	--	8	203 mm (8 in)	152 mm (6 in)	39 mm (1.55 in)	Outset	

Tire and Wheel Application — Caterpillar Machine

(Continued)

242 (66 inch bucket) (Continued)

Part Number	Tire Assembly Diameter	Section Width	Wheel Diameter	Ply Rating	Description	Side	Wheel Width	Mount				Offset	Outset/ Inset
								Number of Bolt Holes	Bolt Circle	Pilot Hole			
Premium Conventional													
142-8731	--	--	419 mm (16.5 in)	-	Wheel	--	247 mm (9.7 in)	8	203 mm (8 in)	152 mm (6 in)	86 mm (3.39 in)	Outset	
185-9930	--	305 mm (12 in)	419 mm (16.5 in)	10	Tire/ Wheel Assembly	Left	247 mm (9.7 in)	8	203 mm (8 in)	152 mm (6 in)	86 mm (3.39 in)	Outset	
185-9931	--	305 mm (12 in)	419 mm (16.5 in)	10	Tire/ Wheel Assembly	Right	247 mm (9.7 in)	8	203 mm (8 in)	152 mm (6 in)	86 mm (3.39 in)	Outset	
185-9933	--	304 mm (12 in)	419 mm (16.5 in)	10	Tire	--	--	--	--	--	--	--	

246, 248, 252, 262, 268, 272 (66 inch bucket)

Part Number	Tire Assembly Diameter	Section Width	Wheel Diameter	Ply Rating	Description	Side	Wheel Width	Mount				Offset	Outset/ Inset
								Number of Bolt Holes	Bolt Circle	Pilot Hole			
XD													
142-8759	--	--	419 mm (16.5 in)	--	Wheel	--	247 mm (9.7 in)	8	203 mm (8 in)	152 mm (6 in)	10 mm (0.39 in)	Outset	
222-3963	--	304 mm (12 in)	419 mm (16.5 in)	14	Tire	--	--	--	--	--	--	--	
Extreme Duty Solid													
187-3230	838 mm (33 in)	152 mm (6 in)	203 mm (8 in)	--	Tire/ Wheel Assembly	Left/ Right	--	8	203 mm (8 in)	152 mm (6 in)	51 mm (2 in)	Outset	
Flexport													
226-3734	838 mm (33 in)	152 mm (6 in)	279 mm (11 in)	--	Tire/ Wheel Assembly	Left / Right	508 mm (20 in)	8	203 mm (8 in)	152 mm (6 in)	27 mm (1.05 in)	Inset	
226-3735	838 mm (33 in)	152 mm (6 in)	279 mm (11 in)	--	Tire/ Wheel Assembly	Left / Right	508 mm (20 in)	8	203 mm (8 in)	152 mm (6 in)	27 mm (1.05 in)	Inset	
Non-Marking Flexport													
250-2277	838 mm (33 in)	152 mm (6 in)	279 mm (11 in)	--	Tire/ Wheel Assembly	Right	--	8	203 mm (8 in)	152 mm (6 in)	39 mm (1.55 in)	Outset	
250-2278	838 mm (33 in)	152 mm (6 in)	279 mm (11 in)	--	Tire/ Wheel Assembly	Left	--	8	203 mm (8 in)	152 mm (6 in)	39 mm (1.55 in)	Outset	
Premium Conventional													
142-8759	--	--	419 mm (16.5 in)	--	Wheel	--	247 mm (9.7 in)	8	203 mm (8 in)	152 mm (6 in)	10 mm (0.39 in)	Outset	
185-9928	--	305 mm (12 in)	419 mm (16.5 in)	10	Tire/ Wheel Assembly	Left	247 mm (9.7 in)	8	203 mm (8 in)	152 mm (6 in)	10 mm (0.39 in)	Outset	
185-9929	--	305 mm (12 in)	419 mm (16.5 in)	10	Tire/ Wheel Assembly	Right	247 mm (9.7 in)	8	203 mm (8 in)	152 mm (6 in)	10 mm (0.39 in)	Outset	
185-9933	--	304 mm (12 in)	419 mm (16.5 in)	10	Tire	--	--	--	--	--	--	--	

246, 248, 252, 262, 268, 272 (72 inch bucket)

Part Number	Tire Assembly Diameter	Section Width	Wheel Diameter	Ply Rating	Description	Side	Wheel Width	Mount				Offset	Outset/ Inset
								Number of Bolt Holes	Bolt Circle	Pilot Hole			
XD													
142-8731	--	--	419 mm (16.5 in)	-	Wheel	--	247 mm (9.7 in)	8	203 mm (8 in)	152 mm (6 in)	86 mm (3.39 in)	Outset	
222-3963	--	304 mm (12 in)	419 mm (16.5 in)	14	Tire	--	--	--	--	--	--	--	
Extreme Duty Solid													
187-3230	838 mm (33 in)	152 mm (6 in)	203 mm (8 in)	--	Tire/ Wheel Assembly	Left/ Right	--	8	203 mm (8 in)	152 mm (6 in)	51 mm (2 in)	Outset	
Flexport													
226-3734	838 mm (33 in)	152 mm (6 in)	279 mm (11 in)	--	Tire/ Wheel Assembly	Left / Right	508 mm (20 in)	8	203 mm (8 in)	152 mm (6 in)	27 mm (1.05 in)	Inset	
226-3735	838 mm (33 in)	152 mm (6 in)	279 mm (11 in)	--	Tire/ Wheel Assembly	Left / Right	508 mm (20 in)	8	203 mm (8 in)	152 mm (6 in)	27 mm (1.05 in)	Inset	
Non-Marking Flexport													
250-2277	838 mm (33 in)	152 mm (6 in)	279 mm (11 in)	--	Tire/ Wheel Assembly	Right	--	8	203 mm (8 in)	152 mm (6 in)	39 mm (1.55 in)	Outset	
250-2278	838 mm (33 in)	152 mm (6 in)	279 mm (11 in)	--	Tire/ Wheel Assembly	Left	--	8	203 mm (8 in)	152 mm (6 in)	39 mm (1.55 in)	Outset	

Tire and Wheel Application — Caterpillar Machine

(Continued)

246, 248, 252, 262, 268, 272 (72 inch bucket) (Continued)

Part Number	Tire Assembly Diameter	Section Width	Wheel Diameter	Ply Rating	Description	Side	Wheel Width	Mount			Offset	Outset/ Inset
								Number of Bolt Holes	Bolt Circle	Pilot Hole		
Premium Conventional												
142-8731	--	--	419 mm (16.5 in)	-	Wheel	--	247 mm (9.7 in)	8	203 mm (8 in)	152 mm (6 in)	86 mm (3.39 in)	Outset
185-9930	--	305 mm (12 in)	419 mm (16.5 in)	10	Tire/ Wheel Assembly	Left	247 mm (9.7 in)	8	203 mm (8 in)	152 mm (6 in)	86 mm (3.39 in)	Outset
185-9931	--	305 mm (12 in)	419 mm (16.5 in)	10	Tire/ Wheel Assembly	Right	247 mm (9.7 in)	8	203 mm (8 in)	152 mm (6 in)	86 mm (3.39 in)	Outset
185-9933	--	304 mm (12 in)	419 mm (16.5 in)	10	Tire	--	--	--	--	--	--	--
Premium Conventional Flotation												
178-2270	--	--	419 mm (16.5 in)	--	Wheel	--	305 mm (12 in)	8	203 mm (8 in)	152 mm (6 in)	44 mm (1.75 in)	Outset
199-5438	838 mm (33 in)	394 mm (15.5 in)	419 mm (16.5 in)	12	Tire/ Wheel Assembly	Left	305 mm (12 in)	8	203 mm (8 in)	152 mm (6 in)	44 mm (1.75 in)	Outset
199-5439	838 mm (33 in)	394 mm (15.5 in)	419 mm (16.5 in)	12	Tire/ Wheel Assembly	Right	305 mm (12 in)	8	203 mm (8 in)	152 mm (6 in)	44 mm (1.75 in)	Outset
199-5440	838 mm (33 in)	393 mm (15.5 in)	419 mm (16.5 in)	12	Tire	--	--	--	--	--	--	--

Narrow Machine Configuration - Light Duty

Part Number	Section Width	Wheel Diameter	Ply Rating	Description	Side	Offset	Outset/Inset
Conventional Narrow Machine							
238-7740	177 mm (7 in)	381 mm (15 in)	6	Tire	--	--	--
142-7481	--	--	--	Wheel	--	29 mm (1.15 in)	Inset
238-7738	177 mm (7 in)	381 mm (15 in)	6	Tire/ Wheel Assembly	Left	29 mm (1.15 in)	Inset
238-7739	177 mm (7 in)	381 mm (15 in)	6	Tire/ Wheel Assembly	Right	29 mm (1.15 in)	Inset

Backhoe Loader

Part Number	Tire Width	Wheel Diameter	Ply Rating	Description
Premium Conventional				
216-9111	317 mm (12 in)	457 mm (18 in)	10	Tire
216-9112	467 mm (18 in)	660 mm (26 in)	12	Tire
216-9113	429 mm (17 in)	711 mm (28 in)	12	Tire

TH62

Part Number	Tire Width	Wheel Diameter	Tire Style	Ply Rating	Description
Premium Conventional					
281-6590	330 mm (13 in)	609 mm (24 in)	TG NHS	12	Tire
281-6591	355 mm (14 in)	609 mm (24 in)	TG NHS	12	Tire
283-3479	355 mm (14 in)	609 mm (24 in)	TG NHS	16	Tire
208-8512	394 mm (16 in)	635 mm (25 in)	TG NHS	12	Tire

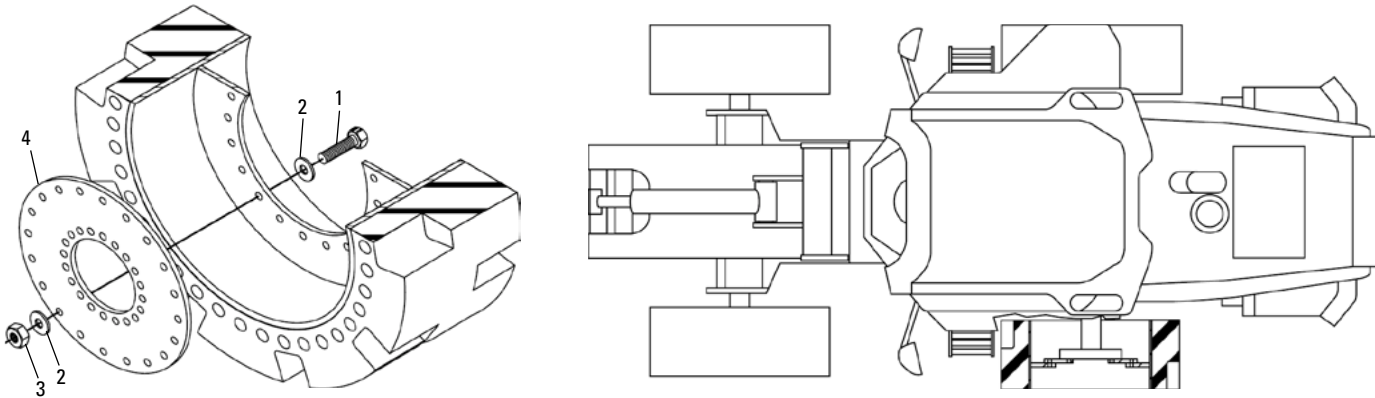
TH63, TH82

Part Number	Tire Width	Wheel Diameter	Tire Style	Ply Rating	Description
Premium Conventional					
281-6590	330 mm (13 in)	609 mm (24 in)	TG NHS	12	Tire
281-6591	355 mm (14 in)	609 mm (24 in)	TG NHS	12	Tire
283-3479	355 mm (14 in)	609 mm (24 in)	TG NHS	16	Tire
208-8512	394 mm (16 in)	635 mm (25 in)	TG NHS	12	Tire

Wheel Loaders

Refer to illustration below

Item	Description
1	Bolt
2	Washer
3	Hex Nut
4	Mounting Disc



Model	Tire Assembly Diameter	Rubber Thickness	Wheel Diameter	Part Number	Number of Bolt Holes	Bolt Circle	Pilot Hole	Offset	Outset/Inset
Flexport Tires									
904B	838 mm (33 in)	152 mm (6 in)	279 mm (11 in)	305-6950	152 mm (6 in)	203 mm (8 in)	152 mm (6 in)	54 mm (2.1 in)	Outset
904B	838 mm (33 in)	152 mm (6 in)	279 mm (11 in)	305-6951	152 mm (6 in)	203 mm (8 in)	152 mm (6 in)	54 mm (2.1 in)	Outset
904H	838 mm (33 in)	152 mm (6 in)	279 mm (11 in)	317-8753	152 mm (6 in)	203 mm (8 in)	152 mm (6 in)	16 mm (0.6 in)	Outset
904H	838 mm (33 in)	152 mm (6 in)	279 mm (11 in)	317-8754	152 mm (6 in)	203 mm (8 in)	152 mm (6 in)	16 mm (0.6 in)	Outset

Models 924F, 924G, 928F, 928G, 930G, 930H

Tire Assembly Diameter	Rubber Thickness	Wheel Diameter	Tire Part Number	Mounting Disc Part Number	Center Disc Mounting Instructions	Wheel Mounting Instructions	Bolt Part Number	Bolt Quantity	Washer Part Number	Washer Quantity	Hex Nut Part Number	Hex Nut Quantity
1,498 mm (59 in)	228 mm (9 in)	520 mm (20.5 in)	265-7591	267-5295	Center	Center	8T-5878	20	8T-4167	20	8T-4001	20

Model 936E

Tire Assembly Diameter	Rubber Thickness	Wheel Diameter	Tire Part Number	Mounting Disc Part Number	Center Disc Mounting Instructions	Wheel Mounting Instructions	Bolt Part Number	Bolt Quantity	Washer Part Number	Washer Quantity	Hex Nut Part Number	Hex Nut Quantity
1,498 mm (59 in)	228 mm (9 in)	520 mm (20.5 in)	265-7591	267-4632	Center	Center	8T-5878	20	8T-4167	20	8T-4001	20

Models 936F, 938F, 938G

Tire Assembly Diameter	Rubber Thickness	Wheel Diameter	Tire Part Number	Mounting Disc Part Number	Center Disc Mounting Instructions	Wheel Mounting Instructions	Bolt Part Number	Bolt Quantity	Washer Part Number	Washer Quantity	Hex Nut Part Number	Hex Nut Quantity
1,498 mm (59 in)	228 mm (9 in)	520 mm (20.5 in)	265-7591	269-4633	Center	Center	8T-5878	20	8T-4167	20	8T-4001	20

Model 938H

Tire Assembly Diameter	Rubber Thickness	Wheel Diameter	Tire Part Number	Mounting Disc Part Number	Center Disc Mounting Instructions	Wheel Mounting Instructions	Bolt Part Number	Bolt Quantity	Washer Part Number	Washer Quantity	Hex Nut Part Number	Hex Nut Quantity
1,498 mm (59 in)	228 mm (9 in)	520 mm (20.5 in)	325-2871	326-9543	Center	Center	7X-2577	20	8T-4167	20	8T-4001	20

Models 950B, 950E

Tire Assembly Diameter	Rubber Thickness	Wheel Diameter	Tire Part Number	Mounting Disc Part Number	Center Disc Mounting Instructions	Wheel Mounting Instructions	Bolt Part Number	Bolt Quantity	Washer Part Number	Washer Quantity	Hex Nut Part Number	Hex Nut Quantity
1,574 mm (62 in)	228 mm (9 in)	596 mm (23.5 in)	273-6560	278-1003	Center	Center	8T-5878	20	8T-4167	20	8T-4001	20

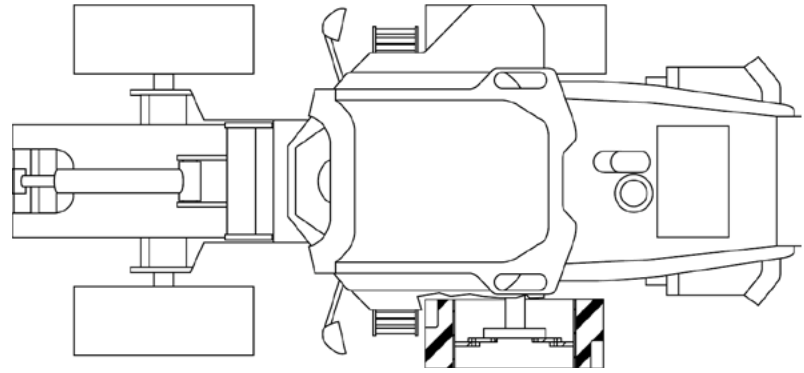
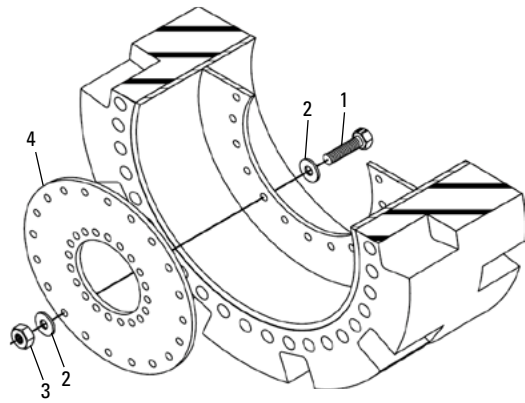
Model 950F

Tire Assembly Diameter	Rubber Thickness	Wheel Diameter	Tire Part Number	Mounting Disc Part Number	Center Disc Mounting Instructions	Wheel Mounting Instructions	Bolt Part Number	Bolt Quantity	Washer Part Number	Washer Quantity	Hex Nut Part Number	Hex Nut Quantity
1,574 mm (62 in)	228 mm (9 in)	596 mm (23.5 in)	273-6560	278-1005	Center	Center	8T-5878	20	8T-4167	20	8T-4001	20

Models 950G, 950H, 962G, 962H

Tire Assembly Diameter	Rubber Thickness	Wheel Diameter	Tire Part Number	Mounting Disc Part Number	Center Disc Mounting Instructions	Wheel Mounting Instructions	Bolt Part Number	Bolt Quantity	Washer Part Number	Washer Quantity	Hex Nut Part Number	Hex Nut Quantity
1,574 mm (62 in)	228 mm (9 in)	596 mm (23.5 in)	273-6560	277-9633	Center	Center	8T-5878	20	8T-4167	20	8T-4001	20

Integrated Toolcarrier



Models IT24F, IT24G, IT28F, IT28G

Tire Assembly Diameter	Rubber Thickness	Wheel Diameter	Tire Part Number	Mounting Disc Part Number	Center Disc Mounting Instructions	Wheel Mounting Instructions	Bolt Part Number	Bolt Quantity	Washer Part Number	Washer Quantity	Hex Nut Part Number	Hex Nut Quantity
Extreme Duty Solid Flexport Tires												
1,498 mm (59 in)	228.4 mm (9 in)	520 mm (20.5 in)	265-7591	267-5295	Center	Center	8T-5878	20	8T-4167	20	8T-4001	20

Models IT38F, IT38G

Tire Assembly Diameter	Rubber Thickness	Wheel Diameter	Tire Part Number	Mounting Disc Part Number	Center Disc Mounting Instructions	Wheel Mounting Instructions	Bolt Part Number	Bolt Quantity	Washer Part Number	Washer Quantity	Hex Nut Part Number	Hex Nut Quantity
Extreme Duty Solid Flexport Tires												
1,498 mm (59 in)	228.4 mm (9 in)	520 mm (20.5 in)	265-7591	269-4633	Center	Center	8T-5878	20	8T-4167	20	8T-4001	20