



**Portable | Flexible | Compact | Easy Install**

**Integrated Container with Generator, UPS and ATS  
Fully Assembled & Tested Power Module**

- ◆ **ISO 40' or 53' container**
  - ◆ Optional two container system available for larger sizes
- ◆ **Engine Generator Package [500 to 1000 kW]**
  - ◆ EPA emission compliant - Emergency Standby
  - ◆ UL listed fuel tank
  - ◆ External fuel fill port
  - ◆ Dual connections to support internal and external tanks
- ◆ **Critical Load UPS [300 to 600 kVA]**
  - ◆ Optional Hybrid UPS consisting of battery and flywheel
  - ◆ Hybrid model includes temperature controlled UPS compartment
  - ◆ Optional external bypass
  - ◆ Optional gen start module
- ◆ **Auto Transfer Switch [800 to 1600 Amp]**
  - ◆ Optional close transition, integral bypass and dual drawout
- ◆ **Other ratings are available**

**Generator**



**ATS**



**UPS**



# AMPS Standard & Optional Features



Component	Standard	Optional
<b>AMPS Package</b>		
<b>Certifications:</b>	UL2200, UL1778, UL1008, UL142	
	IEEE 587/ANSI C62.41	
		GenStart™ - Generator starting system
		External bypass switch
		Optional ratings available
<b>Enclosure</b>		
	Fully heated using resistance elements	Temperature controlled mechanical cooling
		Free cooling when ambient temp permits
		Load bank connections
		Quieter enclosure as required
<b>Engine</b>		
	EPA certified stationary emergency	
	Starting batteries and cables	Battery disconnect
	10 amp battery charger	Higher amp battery chargers available
	Radiator fan belt guards	
	Cat ADEM A4 governor	Load share module
	EMCP 4 control panel with:	
	- Low oil pressure	
	- High coolant temperature	
	- Low coolant level	
	- Over-speed protection	
	- Emergency stop	
	- Failure to start	
	- Modbus communications	
	Local annunciator	Remote annunciator
	Lube oil pump	
	Rubber isolation mounts	Spring isolation mounts
<b>Generator</b>		
	Permanent magnet	
	Class H insulation	
	105°C. rise over 40°C.	
<b>UPS</b>		
	Non-battery flywheel type	Battery type
		Hybrid flywheel / battery type
	Modbus communications	
	Seismic rated	
	Redundant cooling fans	
	IGBT bi-directional converter	
	Internal bypass	External bypass
<b>ATS</b>		
	Open transition	Closed transition
		Bypass isolation

# AMPS Performance Specifications



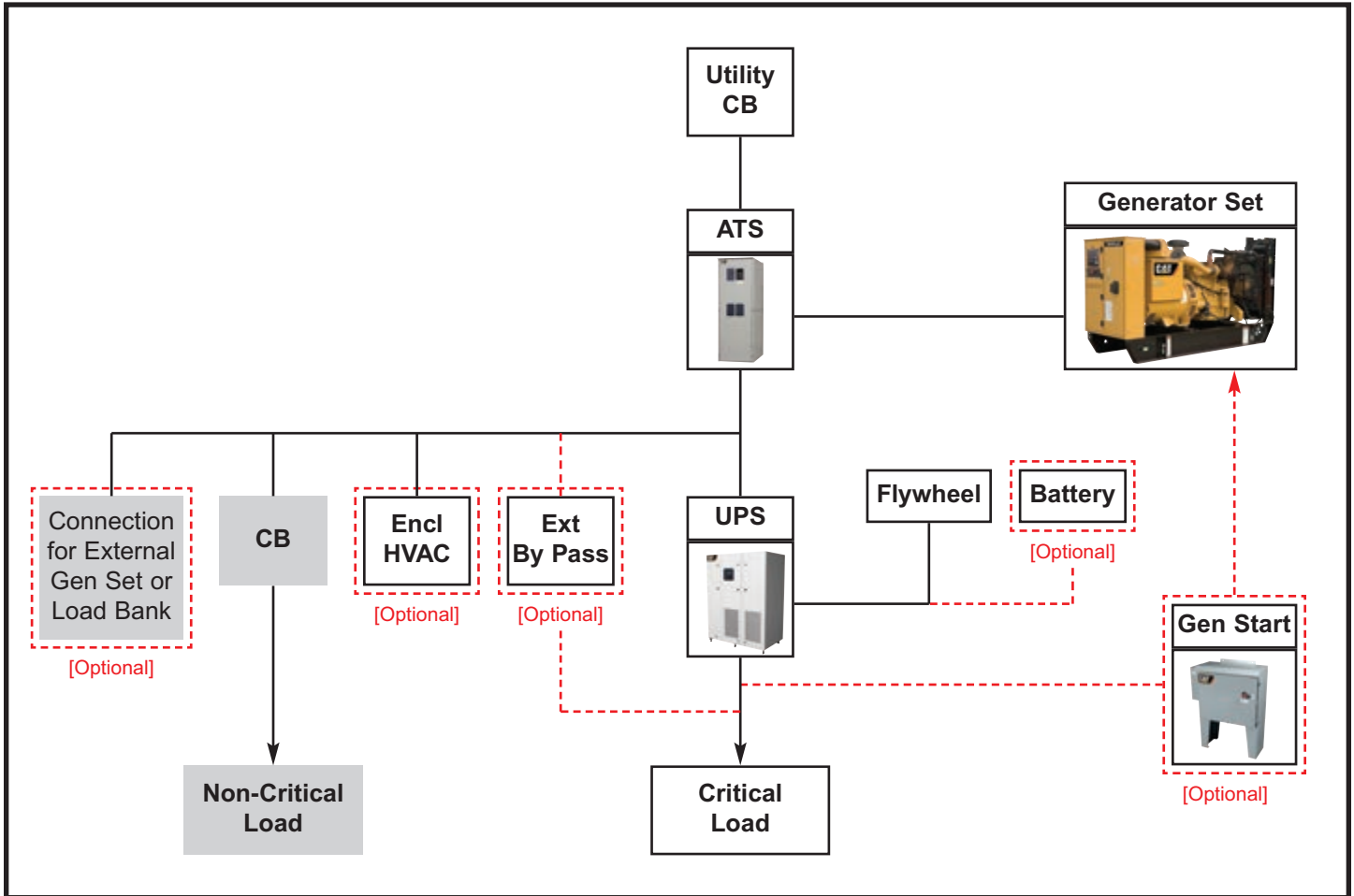
Component	500	1000
<b>AMPS Package</b>		
Generator (eKW)	500	1000
UPS (kVA)	300	600
ATS (Amps)	800	1600
Critical load power output (kVA)	300	600
Non-Critical load power output (kVA)	300	600
<b>Enclosure</b>		
Sound output (dBA @ 27 ft free field)	72	72
Fuel storage capacity (gal)	600	600
<b>Engine</b>		
Cat® model	C15	C32
Crankshaft speed (RPM)	1800	1800
Fuel consumption (Gal/Hr)	36.6	71.9
Starting battery voltage (VDC)	24	24
<b>Generator</b>		
Load capability (% in single step per NFPA 110)	100	100
Motor starting capability (skVA @ 30%)	1428	2734
Winding pitch	2/3	2/3
Over-speed capability (% of rated)	125	125
Voltage regulation at steady state	< ±0.5%	< ±0.5%
Voltage regulation: 0 to 100% load	< ±1%	< ±1%
Telephone influence factor	< 50	< 50
Total harmonic distortion	< 5%	< 5%
<b>UPS</b>		
Stored energy method	Flywheel	Flywheel
Phase to Phase Voltage/Frequency Input	480 VAC	480 VAC
Phase to Phase Voltage/Frequency Output	480 VAC	480 VAC
Voltage input range	±10%	±10%
Power factor input	0.99	0.99
Linear load harmonic current distortion	< 3% @ 100% resistive load	< 3% @ 100% resistive load
Non-Linear load harmonic current distortion	< 8% w/100% non-linear load	< 8% w/100% non-linear load
Input walk-in programmable range	1 to 15 seconds (programmable)	1 to 15 seconds (programmable)
Bypass voltage window programmable range	10% / -15%	10% / -15%
Ride through times @ % load		
100%	14 seconds	14 seconds
75%	19 seconds	19 seconds
50%	28 seconds	28 seconds
25%	52 seconds	52 seconds
Environmental - Operating temperature	0° C to 40° C (32° F to 104° F)	0° C to 40° C (32° F to 104° F)
- Altitude	De-Rate after 3,000 feet	De-Rate after 3,000 feet
<b>ATS</b>		
Rating at 480V 3-phase (Amps)	800	1600
3 Pole (4 Pole Optional) Open Transition		

# AMPS Performance Specifications



Component	500H	1000H
<b>AMPS Package</b>		
Generator (eKW)	500	1000
DC Flywheel Energy Storage System (kW)	250	500
Double Conversion UPS (kVA)	225	555
ATS (Amps)	800	1600
Critical load power output (kVA)	225	555
Non-Critical load power output (kVA)	400	695
<b>Enclosure</b>		
Sound output (dBA @ 27 ft free field)	72	72
Fuel storage capacity (Gal)	600	600
<b>Engine</b>		
Cat® model	C15	C32
Crankshaft speed (RPM)	1800	1800
Fuel consumption (Gal/Hr)	36.6	71.9
Starting battery voltage (VDC)	24	24
<b>Generator</b>		
Load capability (% in single step per NFPA 110)	100	100
Motor starting capability (skVA @ 30%)	1428	2734
Winding pitch	2/3	2/3
Over-speed capability (% of rated)	125	125
Voltage regulation at steady state	< ±0.5%	< ±0.5%
Voltage regulation: 0 to 100% load	< ±1%	< ±1%
Telephone influence factor	< 50	< 50
Total harmonic distortion	< 5%	< 5%
<b>UPS</b>		
Stored energy method	Flywheel + Battery	Flywheel + Battery
Phase to Phase Voltage/Frequency Input	480 VAC	480 VAC
Phase to Phase Voltage/Frequency Output	480 VAC	480 VAC
Power factor input	0.9	0.87
Total harmonic distortion	< 7.5%	< 5%
Ride through times @100% load		
Flywheel	13.8 sec	13.8 sec
Battery	5 min	5 min
Environmental - Operating temperature	0° C to 40° C (32° F to 104° F)	0° C to 40° C (32° F to 104° F)
- Altitude	3280 feet	3280 feet
<b>ATS</b>		
Rating at 480V 3-Phase (Amps)	800	1600
3 Pole (4 Pole Optional) Open Transition		

# AMPS ISO Container & Schematic



DIMENSIONS & WEIGHTS	AMPS 500	AMPS 500H	AMPS 1000	AMPS 1000H
<b>Length</b>	480" (40' 0")	480" (40' 0")	636" (53' 0")	636" (53' 0")
<b>Width</b>	96" (8' 0")	96" (8' 0")	96" (8' 0")	96" (8' 0")
<b>Height</b>	114" (9' 6")	114" (9' 6")	114" (9' 6")	114" (9' 6")
<b>Weight</b> * does not include fuel * includes optional accessories	38,513 lbs	46,454 lbs	54,044 lbs	77,077 lbs



**Portable | Flexible | Compact | Easy Install**

## **Alban CAT Power Systems**

6387 Old Washington Road  
Elkridge, MD 21075

**800-443-9813**

**[www.albancat.com](http://www.albancat.com)**

**Email: [AMPS@albancat.com](mailto:AMPS@albancat.com)**

