



Picture shown may not reflect actual package.

C15 / C18 SOUND ATTENUATED ENCLOSURES

US Sourced 60 Hz

FEATURES

ROBUST / HIGHLY CORROSION RESISTANT

CONSTRUCTION

- Factory installed on skid base
- Environmentally friendly, polyester powder baked paint
- 14 gauge steel
- Zinc plated or stainless steel fasteners
- Internally mounted super critical exhaust silencing system
- Designed and tested to comply with UL 2200 Listed generator set package
- Compression door latches providing solid door seal

EXCELLENT ACCESS

- Large cable entry area for installation ease
- Accommodates side mounted single or multiple breakers
- Three doors on both sides
- Vertically hinged allow 180° opening rotation and retention with door stays
- Lube oil and coolant drains piped to the exterior of the enclosure base
- Radiator fill cover

SECURITY AND SAFETY

- Lockable access doors which give full access to control panel and breaker
- Cooling fan and battery charging alternator fully guarded
- Fuel fill, oil fill, and battery can only be reached via lockable access
- Externally mounted emergency stop button
- Designed for spreader bar lifting to ensure safety
- Stub-up area is rodent proof

TRANSPORTABILITY

These enclosures are of extremely rugged construction to withstand outdoor exposure and rough handling common on many construction sites.

OPTIONS

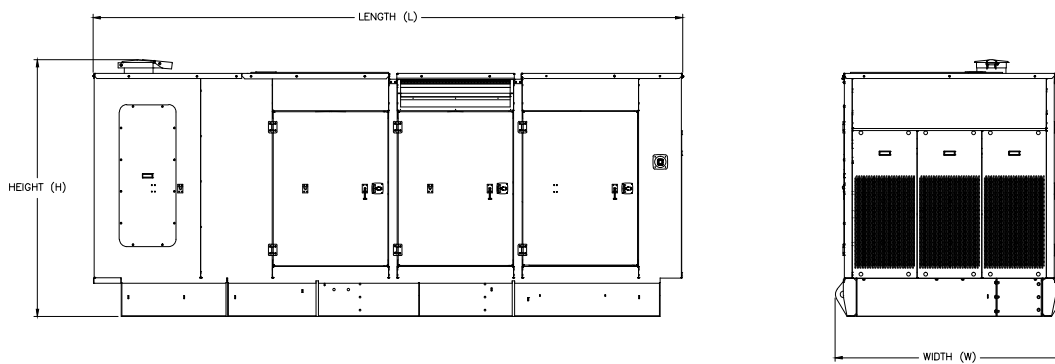
- Caterpillar yellow or white paint
- Control panel viewing window
- UL Listed 8 hour integral fuel tank
- UL Listed 24 or 48 hour sub base fuel tanks
- Seismic certification per applicable building codes: IBC 2000, IBC 2003, IBC 2006, IBC 2009, IBC 2012, CBC 2007, CBC 2010
- IBC Certification for 90 mph wind loading
- Anchoring details are site specific and are dependent on many factors such as generator set size, weight, and concrete strength. IBC Certification requires that the anchoring system used is reviewed and approved by a professional engineer.

Sound Attenuated Enclosure Sound Levels

Sound Attenuated Enclosure		Cooling Air Flow Rate		Ambient Capability*		Sound Pressure Levels (dBA) at					
						1m (3.3 ft)		7m (23 ft)		15m (49 ft)	
Model	Standby ekW	m ³ /s	cfm	°C	°F	100% Load	75% Load	100% Load	75% Load	100% Load	75% Load
C15	350	10.4	22072	59	138	83.5	82.9	72.5	72.4	69.8	69.2
	400	10.4	22072	51	124	84.0	84.0	73.0	73.1	70.0	69.5
	450	10.4	22072	46	115	84.7	83.5	74.2	72.5	70.5	69.8
	500	12.5	26415	48	118	86.7	86.0	75.3	74.1	71.6	70.7
C18	550	8.1	17234	45	113	87.3	86.9	75.3	74.2	72.6	71.9
	600	8.1	17234	43	109	87.6	87.1	75.4	74.8	72.8	72.0

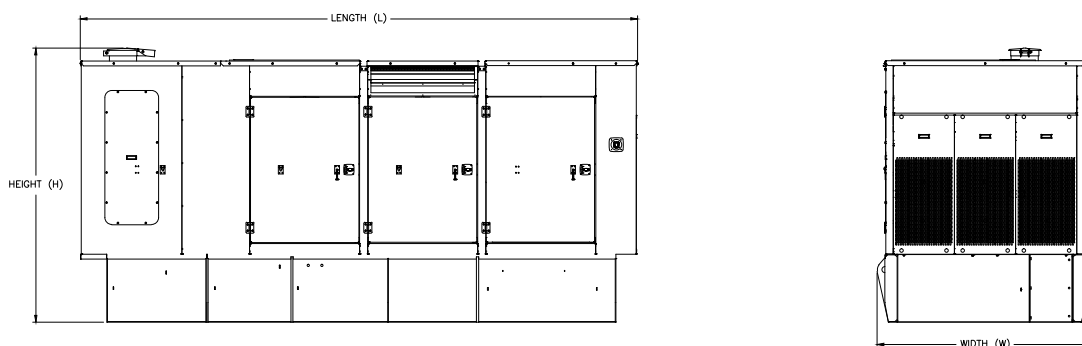
* Cooling system performance with sound attenuated enclosure restriction

Sound Attenuated Enclosure Weights and Dimensions



Sound Attenuated on Skid Base

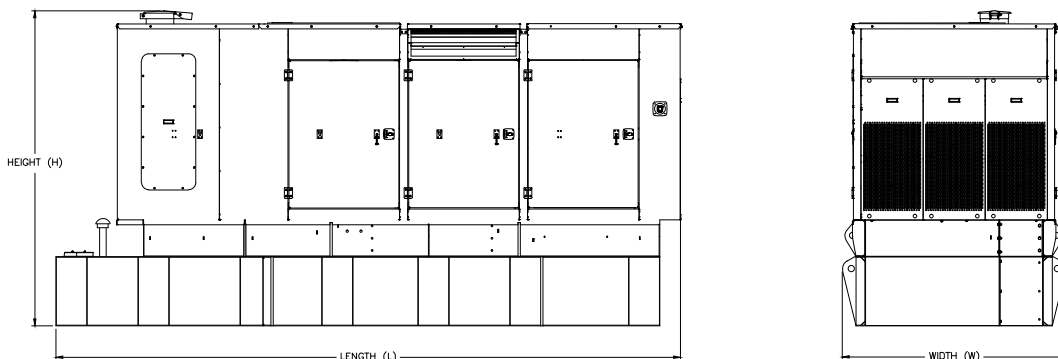
Model	Rating ekW	Length "L"		Width "W"		Height "H"		Weight	
		mm	in	mm	in	mm	in	kg	lb
C15	350	4948	194.8	2014	79.3	2320	91.3	4842	10675
	400								
	450								
	500								
C18	550	5194	204.5	2014	79.3	2262	89.1	5367	11832
	600								



Sound Attenuated on a UL Listed Integral Fuel Tank Base

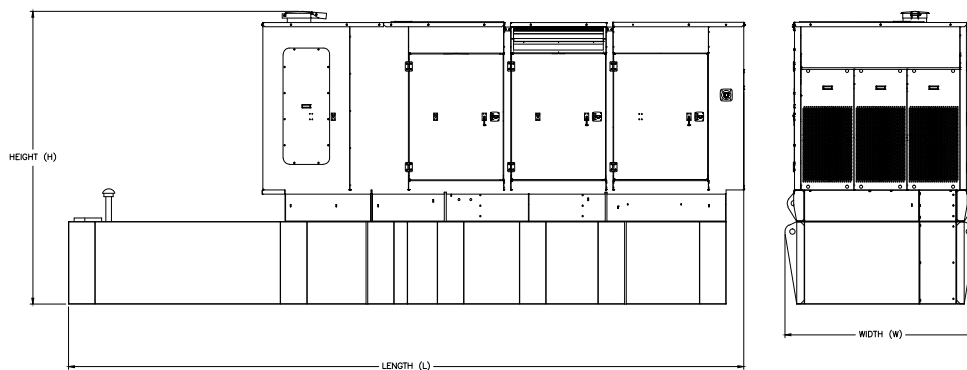
Model	Rating ekW	Length "L"		Width "W"		Height "H"		Weight	
		mm	in	mm	in	mm	in	kg	lb
C15	350	4948	194.8	2014	79.3	2619	103.1	5857	12912
	400								
	450								
	500								
C18	550	5194	204.5	2014	79.3	2557	100.7	6427	14169
	600								

Sound Attenuated Enclosure Weights and Dimensions



Sound Attenuated on a UL Listed 24 Hour Sub Base Fuel Tank Base

Model	Rating ekW	Length "L"		Width "W"		Height "H"		Weight	
		mm	in	mm	in	mm	in	kg	lb
C15	350	5741	226.0	2056	80.9	2955	116.3	6501	14332
	400								
	450								
	500								
C18	550	5741	226.0	2056	80.9	2897	114.1	7026	15490
	600								



Sound Attenuated on a UL Listed 48 Hour Sub Base Fuel Tank Base

Model	Rating ekW	Length "L"		Width "W"		Height "H"		Weight	
		mm	in	mm	in	mm	in	kg	lb
C15	350	6382	243.5	2056	80.9	3209	126.3	6717	14808
	400								
	450								
	500								
C18	550	7265	286.0	2056	80.9	3151	124.1	7517	16572
	600								

Information contained in this publication may be considered confidential. Discretion is recommended when distributing.
Materials and specifications are subject to change without notice.

CAT, CATERPILLAR, their respective logos, "Caterpillar Yellow," the "Power Edge" trade dress as well as corporate and product identity used herein, are trademarks of Caterpillar and may not be used without permission

www.Cat-ElectricPower.com

©2013 Caterpillar
All Rights Reserved.
Printed in U.S.A.