

- EXHAUST (SEE DETAIL SHEET 7)
- OIL FILLER
- OIL SAMPLING VALVE
- EXCESS FUEL RETURN
- 1/2-14 NPSM THD
- FUEL PRIMING PUMP
- 245.0 [9.65] = MAXIMUM STROKE
- FUEL FILTER
- OIL FILTER
- RADIATOR CAP
- 438.8 [17.28]
- 790.0 [31.10]
- 980.0 [38.58]
- 1064.0 [41.89]
- 1260.6 [49.63]
- 2749.5 [108.25]
- CENTERLINE OF CRANKSHAFT
- 617.2 [24.30]
- 449.3 [17.69]
- 447.6 [17.62]
- 369.3 [14.54]
- RADIATOR DRAIN VALVE
- CUSTOMER MOUNTING HOLES
- WATER DRAIN
- 1 1/16-12-2B THD
- NO. 12 PORT
- OIL SCREEN (SEE DETAIL SHEET 7)
- CUSTOMER MOUNTING HOLE
- FUEL RETURN
- 1-3/16-12 THD
- FUEL SUPPLY
- 1-3/16-12 THD
- CUSTOMER MOUNTING HOLE
- WATER DRAIN
- 5/8-11-2B THD
- OIL LEVEL GAGE
- CUSTOMER MOUNTING HOLE

AIR CLEANER

TERMINAL STRIP CONNECTIONS (SEE DETAIL SHEET 7)

1126.4 [44.35]

1090.2 [42.92]

259.6 [10.22]

20.0 [0.79]

72.0 [2.83]

148.0 [5.83]

10.0 [0.39]

CUSTOMER MOUNTING HOLE

LIFTING EYE

ACCESSORY MOUNTING HOLES

Ø23.8 [Ø0.94]

54.0 [2.13] DEEP

6 HOLES EACH SIDE

CUSTOMER MOUNTING HOLE

OIL DRAIN

1 1/2-12-2A THD

109.2 [4.30]

184.2 [7.25]

327.5 [12.89]

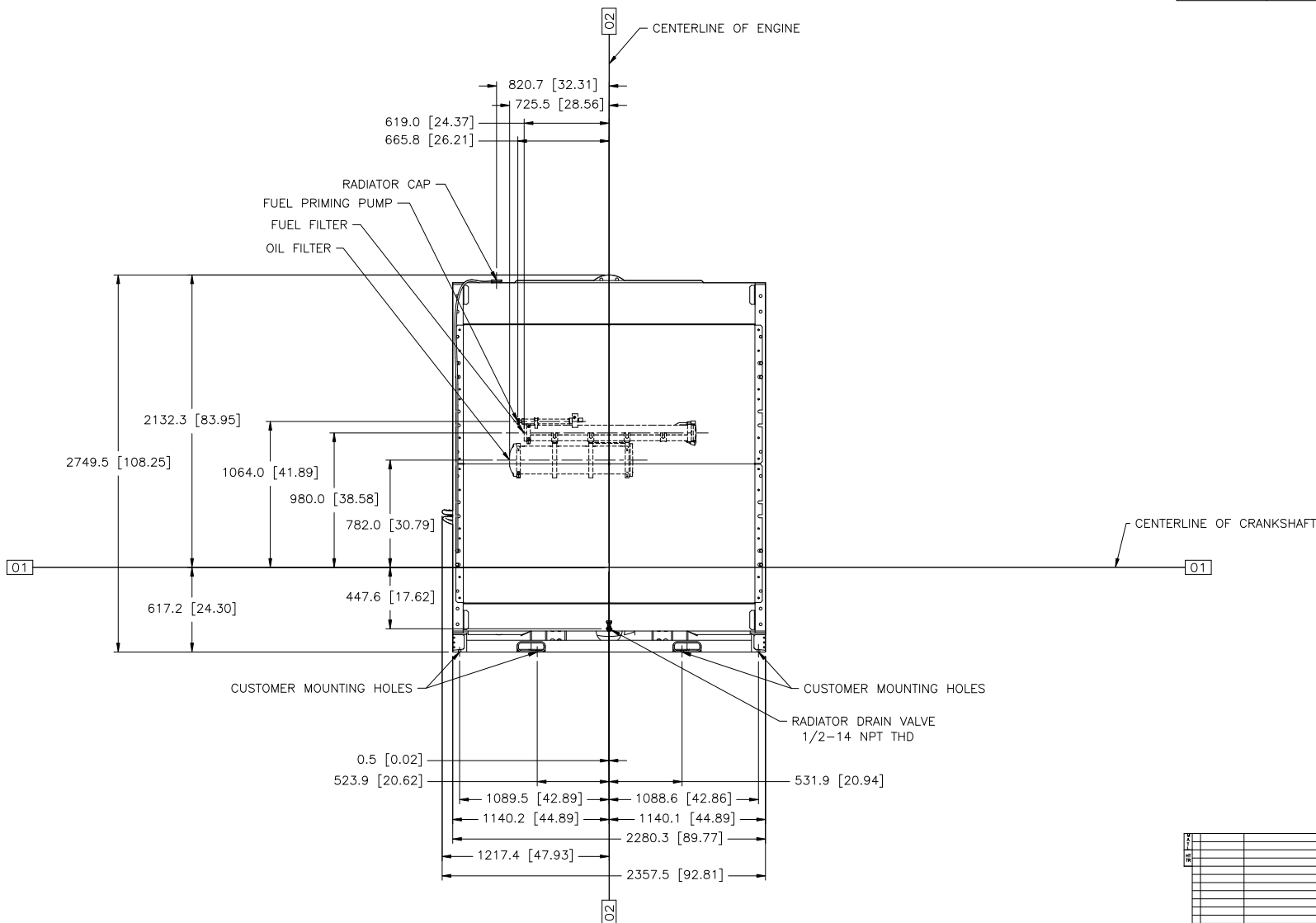
CAT 3512C PACKAGE GENERATOR SET
 DWG # 284-6048 CHG 02
 METRIC [INCH]
 RIGHT SIDE VIEW
 GP-0920 CHG 05 SHOWN

MODEL	PRICING AR
3512C	GP-0920 CHG 05

7									
6									
5									
4									
3									
2									
1									

152733 DRAWING-AUTOCAD
 11/06/11 INTER. 2/10/11
 SPEC NO. DATE
 CHG C.A. THURMAN
 CHG B.B. MYERS
 CHG B.J. BROCK
 SHEET 1 OF 1 (REV. X)

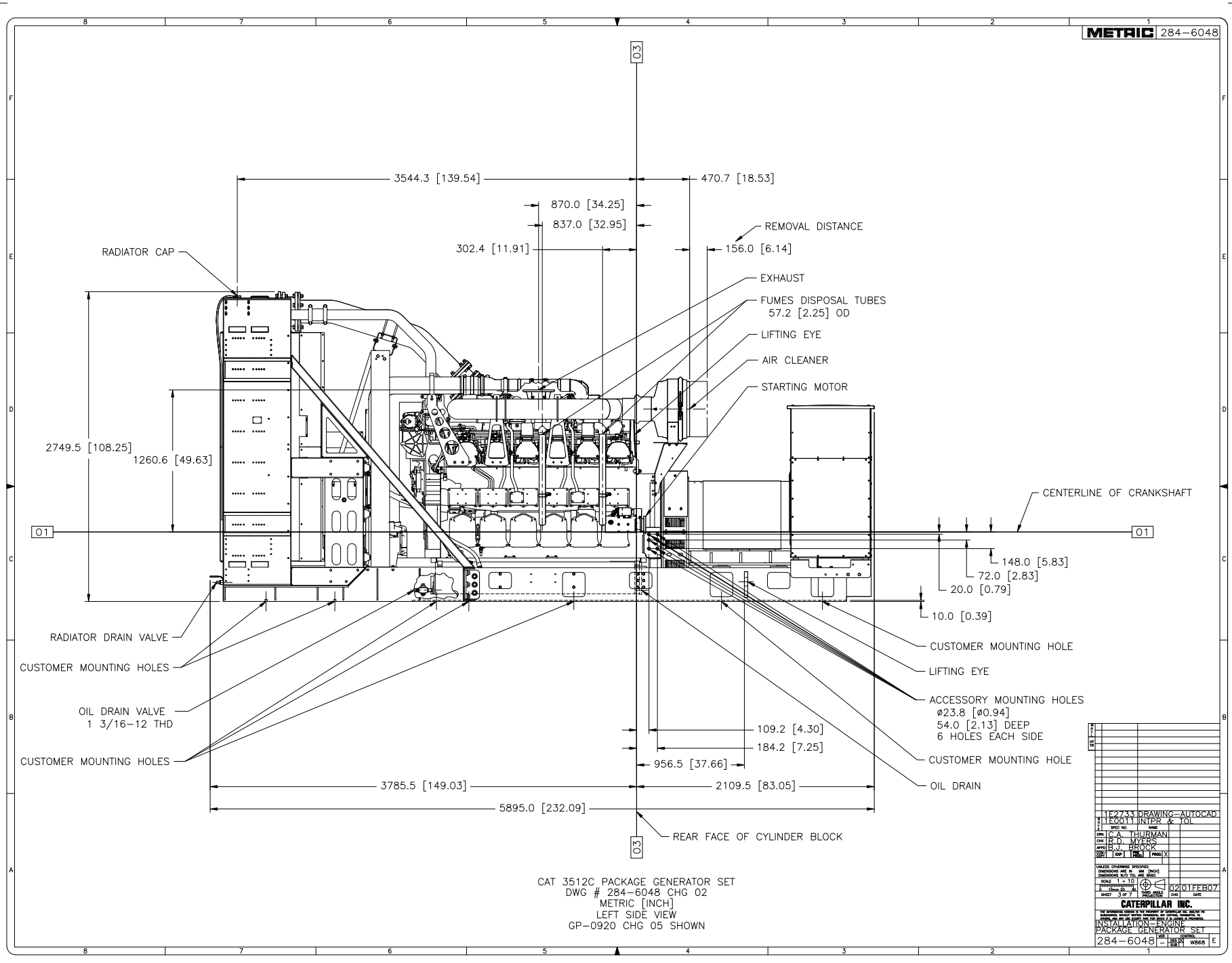
PLEASE CHECK THE FOLLOWING:
 DIMENSIONS ARE IN MM (INCH)
 DIMENSIONS IN INCH ARE SPECIFIED
 UNLESS OTHERWISE SPECIFIED
 SCALE 1 = 10
 SHEET NO. DATE
 02/01/FEB/07
 CATERPILLAR INC.
 10000 North Central Expressway
 Peoria, IL 61615-0001
 INSTALLATION ENGINEER
 PACKAGE GENERATOR SET
 284-6048-1-10000



CAT 3512C PACKAGE GENERATOR SET
DWG # 284-6048 CHG 02
METRIC [INCH]
FRONT VIEW
GP-0920 CHG 05 SHOWN

REV	DATE	DESCRIPTION	BY	CHKD

152733 DRAWING-AUTOCAD
1:160011 INTER. FOR
SPEC NO. NAME
DESIGNED BY C.A. THURMAN
CHKD BY B.O. MYERS
APP'D BY B.J. BROCK
UNIT (F) (I) (M) (X)
PLEASE OBSERVE GROUNDS
DIMENSIONS ARE IN MM (INCH)
UNLESS OTHERWISE SPECIFIED
SCALE 1 = 10
FIRST ISSUE DATE 02-01 FEB 07
SHEET 2 OF 7
CATERPILLAR INC.
INSTALLATION ENGINE
PACKAGE GENERATOR SET
284-6048-1-12814 W060



RADIATOR CAP

2749.5 [108.25]

1260.6 [49.63]

3544.3 [139.54]

870.0 [34.25]

837.0 [32.95]

302.4 [11.91]

470.7 [18.53]

REMOVAL DISTANCE

156.0 [6.14]

EXHAUST

FUMES DISPOSAL TUBES
57.2 [2.25] OD

LIFTING EYE

AIR CLEANER

STARTING MOTOR

CENTERLINE OF CRANKSHAFT

148.0 [5.83]

72.0 [2.83]

20.0 [0.79]

10.0 [0.39]

RADIATOR DRAIN VALVE

CUSTOMER MOUNTING HOLES

OIL DRAIN VALVE
1 3/16-12 THD

CUSTOMER MOUNTING HOLES

CUSTOMER MOUNTING HOLE

LIFTING EYE

ACCESSORY MOUNTING HOLES
Ø23.8 [Ø0.94]
54.0 [2.13] DEEP
6 HOLES EACH SIDE

CUSTOMER MOUNTING HOLE

OIL DRAIN

3785.5 [149.03]

5895.0 [232.09]

109.2 [4.30]

184.2 [7.25]

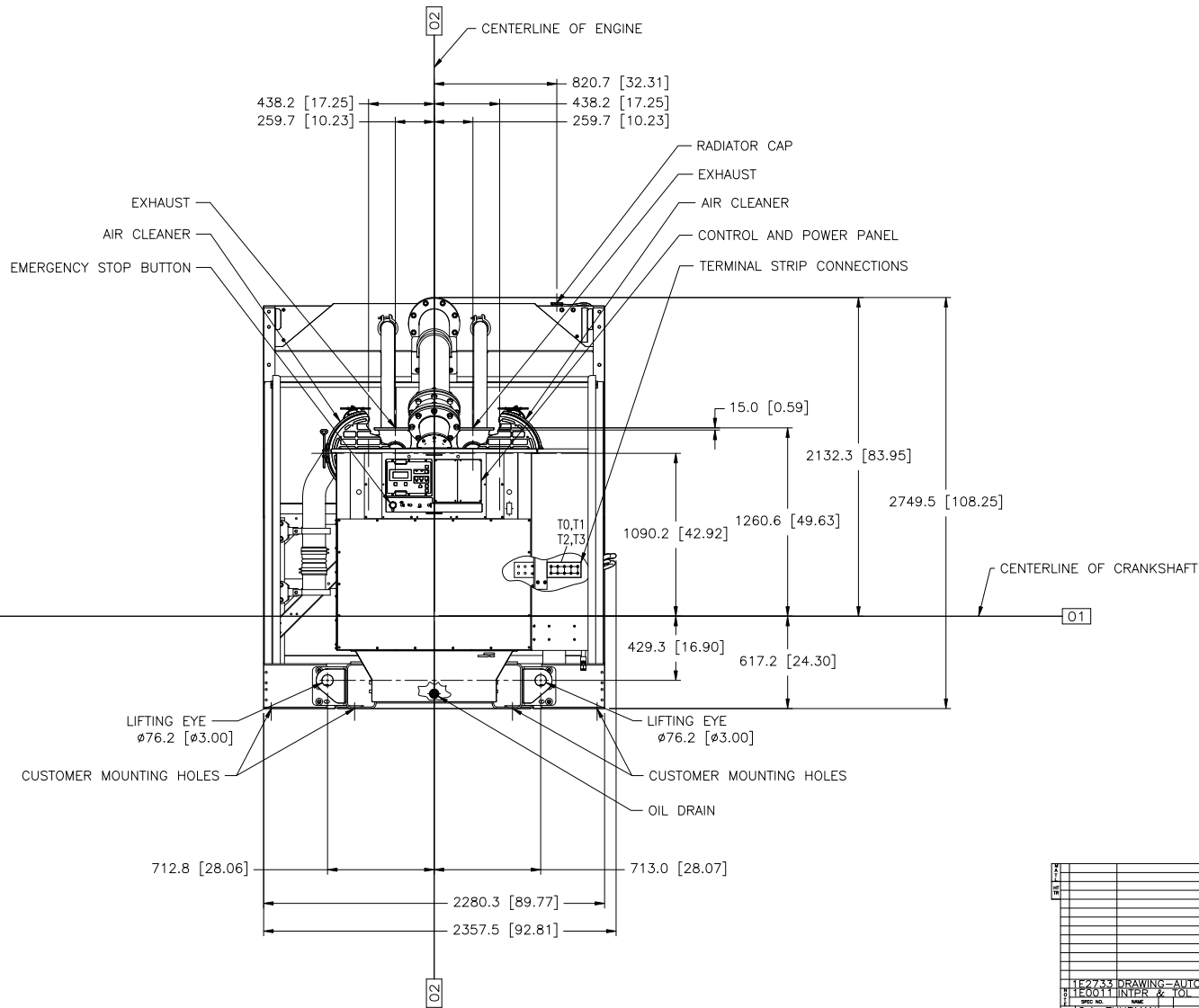
956.5 [37.66]

2109.5 [83.05]

REAR FACE OF CYLINDER BLOCK

CAT 3512C PACKAGE GENERATOR SET
DWG # 284-6048 CHG 02
METRIC [INCH]
LEFT SIDE VIEW
GP-0920 CHG 05 SHOWN

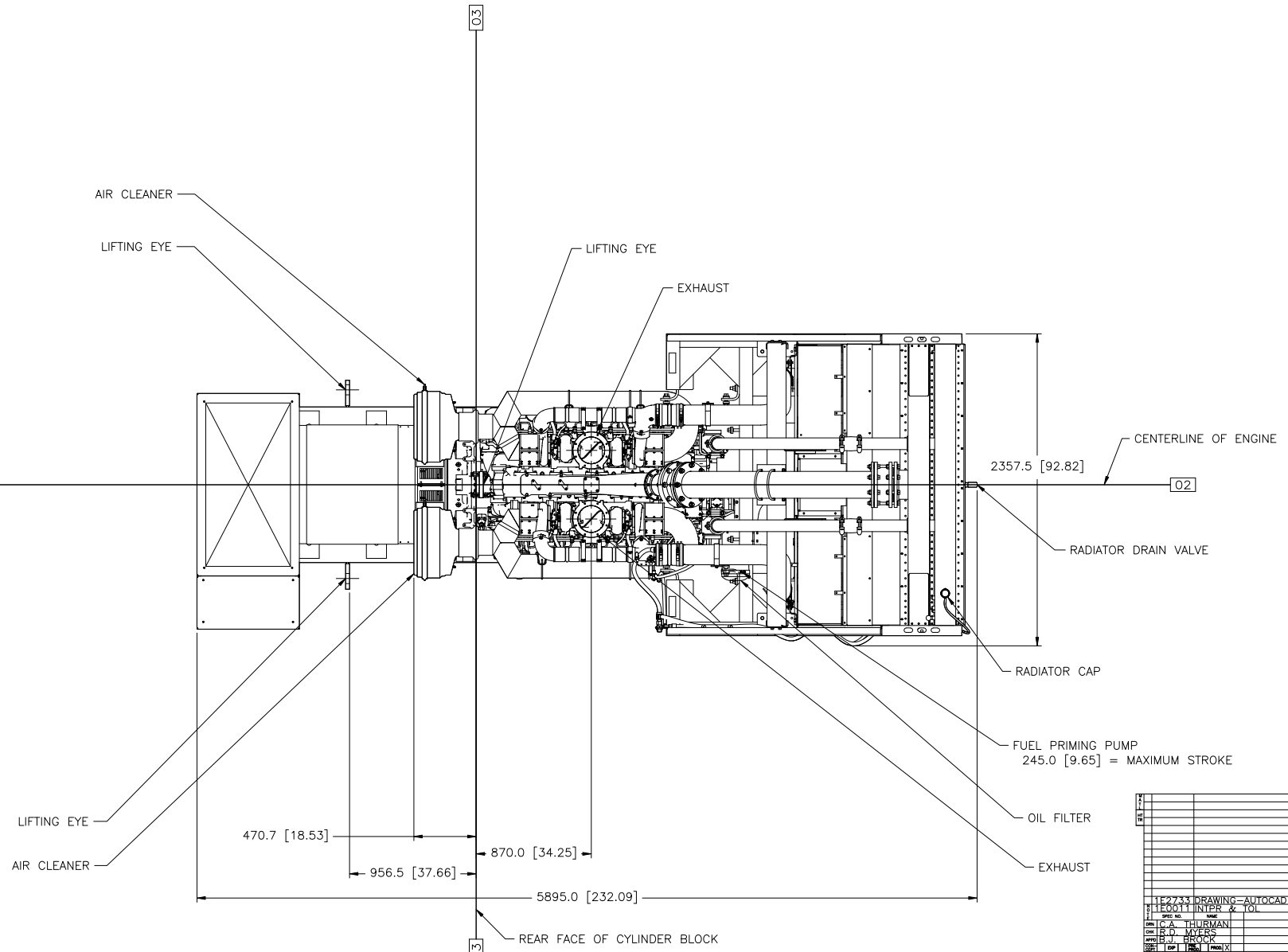
DESIGN		DATE	
SCALE	1 = 10	DATE	02/11/87
NO. OF SHEETS	3 OF 7	DATE	
CATERPILLAR INC.			
INSTALLATION ENGINE			
PACKAGE GENERATOR SET			
284-6048 - 1254			



CAT 3512C PACKAGE GENERATOR SET
 DWG # 284-6048 CHG 02
 METRIC [INCH]
 REAR VIEW
 GP-0920 CHG 05 SHOWN

REV				
1				
2				
3				
4				
5				
6				
7				
8				
9				
10				
11				
12				
13				
14				
15				
16				
17				
18				
19				
20				
21				
22				
23				
24				
25				
26				
27				
28				
29				
30				
31				
32				
33				
34				
35				
36				
37				
38				
39				
40				
41				
42				
43				
44				
45				
46				
47				
48				
49				
50				
51				
52				
53				
54				
55				
56				
57				
58				
59				
60				
61				
62				
63				
64				
65				
66				
67				
68				
69				
70				
71				
72				
73				
74				
75				
76				
77				
78				
79				
80				
81				
82				
83				
84				
85				
86				
87				
88				
89				
90				
91				
92				
93				
94				
95				
96				
97				
98				
99				
100				

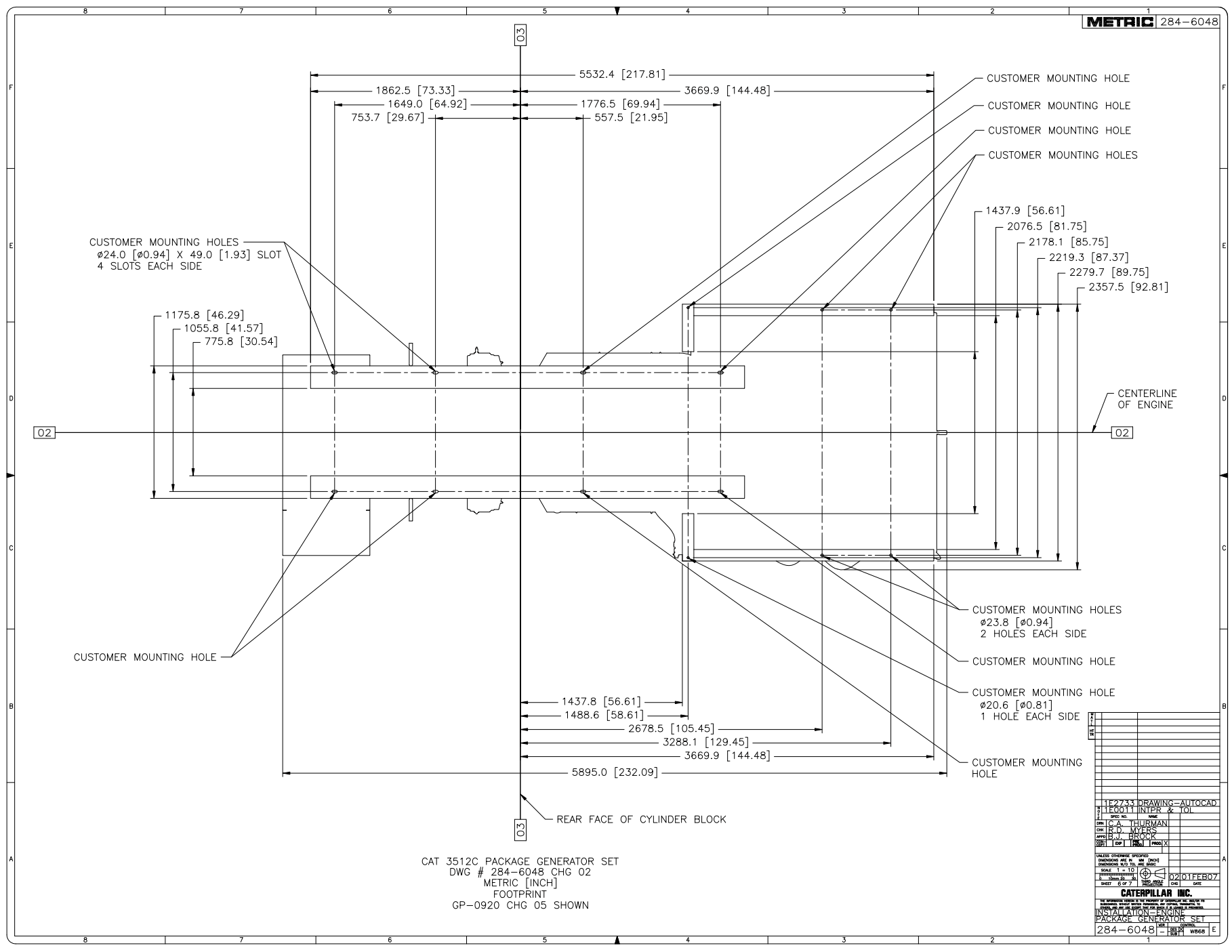
152733 DRAWING - AUTOCAD
 11/06/01 INTER & TOOL
 SPEC NO. DATE
 DESIGNED BY C.A. THURMAN
 CHECKED BY R.D. MYERS
 APPROVED BY B.J. BROCK
 SPEC (FOR I, TRS, I, TRS, X)
 UNLESS OTHERWISE SPECIFIED:
 DIMENSIONS ARE IN MM (INCH)
 DIMENSIONS IN 3D ARE AS SHOWN
 SCALE 1 = 10
 SHEET 4 OF 7
 DATE 02/01/07
 CATERPILLAR INC.
 INSTALLATION - ENGINE
 PACKAGE GENERATOR SET
 284-6048 - 12814 W000 E



CAT 3512C PACKAGE GENERATOR SET
 DWG # 284-6048 CHG 02
 METRIC [INCH]
 TOP VIEW
 GP-0920 CHG 05 SHOWN

1	2	3	4	5	6	7	8
9	10	11	12	13	14	15	16
17	18	19	20	21	22	23	24
25	26	27	28	29	30	31	32
33	34	35	36	37	38	39	40
41	42	43	44	45	46	47	48
49	50	51	52	53	54	55	56
57	58	59	60	61	62	63	64
65	66	67	68	69	70	71	72
73	74	75	76	77	78	79	80
81	82	83	84	85	86	87	88
89	90	91	92	93	94	95	96
97	98	99	100	101	102	103	104
105	106	107	108	109	110	111	112
113	114	115	116	117	118	119	120
121	122	123	124	125	126	127	128
129	130	131	132	133	134	135	136
137	138	139	140	141	142	143	144
145	146	147	148	149	150	151	152
153	154	155	156	157	158	159	160
161	162	163	164	165	166	167	168
169	170	171	172	173	174	175	176
177	178	179	180	181	182	183	184
185	186	187	188	189	190	191	192
193	194	195	196	197	198	199	200

1527333 DRAWING - AUTOCAD
 1160011 INTER. 2D
 SPEC NO. NAME
 DATE C.A. THURMAN
 DATE R.D. MYERS
 DATE B.J. BROCK
 DATE (or I, J, K, L, M, N, X)
 UNLESS OTHERWISE SPECIFIED:
 DIMENSIONS ARE IN INCHES
 DIMENSIONS IN MILLIMETERS ARE NOT TO BE USED
 SCALE 1 = 10
 SHEET 5 OF 7
 DATE 02/01/97
 CATERPILLAR INC.
 INSTALLATION ENGINE
 PACKAGE GENERATOR SET
 284-6048 - 1284



CUSTOMER MOUNTING HOLES
 $\phi 24.0$ [$\phi 0.94$] X 49.0 [1.93] SLOT
4 SLOTS EACH SIDE

CUSTOMER MOUNTING HOLE
CUSTOMER MOUNTING HOLE
CUSTOMER MOUNTING HOLE
CUSTOMER MOUNTING HOLES

1437.9 [56.61]
2076.5 [81.75]
2178.1 [85.75]
2219.3 [87.37]
2279.7 [89.75]
2357.5 [92.81]

CENTERLINE
OF ENGINE

CUSTOMER MOUNTING HOLE

CUSTOMER MOUNTING HOLES
 $\phi 23.8$ [$\phi 0.94$]
2 HOLES EACH SIDE

CUSTOMER MOUNTING HOLE

CUSTOMER MOUNTING HOLE
 $\phi 20.6$ [$\phi 0.81$]
1 HOLE EACH SIDE

CUSTOMER MOUNTING
HOLE

REAR FACE OF CYLINDER BLOCK

CAT 3512C PACKAGE GENERATOR SET
DWG # 284-6048 CHG 02
METRIC [INCH]
FOOTPRINT
GP-0920 CHG 05 SHOWN

REV					
1					
2					
3					
4					
5					
6					
7					
8					
9					
10					
11					
12					
13					
14					
15					
16					
17					
18					
19					
20					
21					
22					
23					
24					
25					
26					
27					
28					
29					
30					
31					
32					
33					
34					
35					
36					
37					
38					
39					
40					
41					
42					
43					
44					
45					
46					
47					
48					
49					
50					
51					
52					
53					
54					
55					
56					
57					
58					
59					
60					
61					
62					
63					
64					
65					
66					
67					
68					
69					
70					
71					
72					
73					
74					
75					
76					
77					
78					
79					
80					
81					
82					
83					
84					
85					
86					
87					
88					
89					
90					
91					
92					
93					
94					
95					
96					
97					
98					
99					
100					

152733 DRAWING-AUTOCAD
1160011 INTER-TOI
SPEC NO. NAME
DESIGNED BY C.A. THURMAN
CHECKED BY B.D. MYERS
DATE 01 FEB 07
SCALE 1 = 10
SHEET 6 OF 7
CATERPILLAR INC.
DATE 01 FEB 07
INSTALLATION ENGINE
PACKAGE GENERATOR SET
284-6048