

MODEL	TYPE	PRICING AR	FRAME	HERTZ
3516C	1	LA-5450 CHG 02 LA-5565 CHG 00	825	60

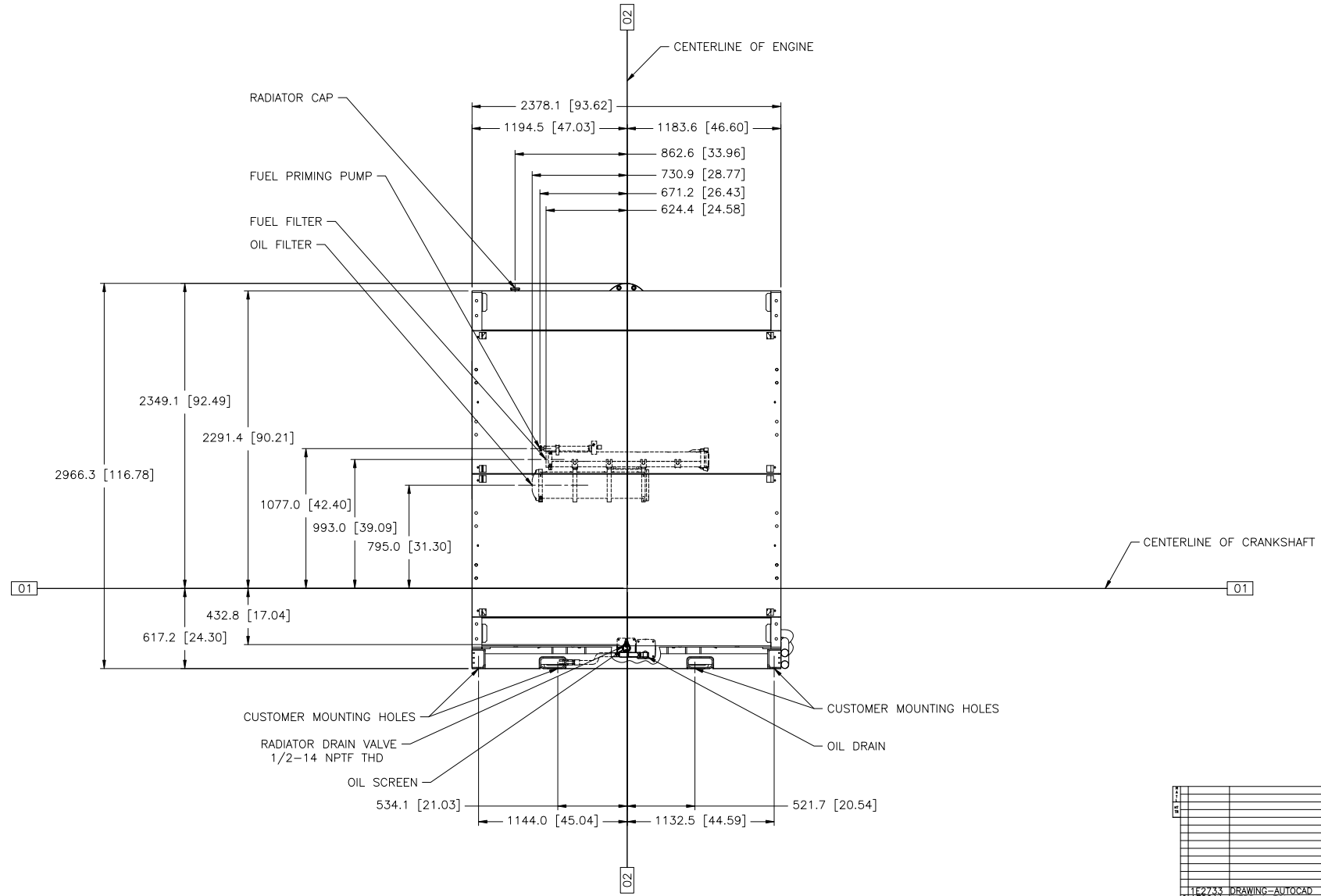
REAR FACE OF CYLINDER BLOCK - 03
CAT 3516C PACKAGE GENERATOR SET
DWG# 284-6051 CHG 10
METRIC [INCH]
RIGHT SIDE VIEW
LA-5450 CHG 02 SHOWN

1E2755 DRAWING-AUTOCAD
1E2805 INTR & TOR
DATE: 10/10/99
BY: JRM/MLC
CHKD: AMM/AJRT/KS
REV: 11 12 13 14 15 16 17 18 19

10 05 JAN 11

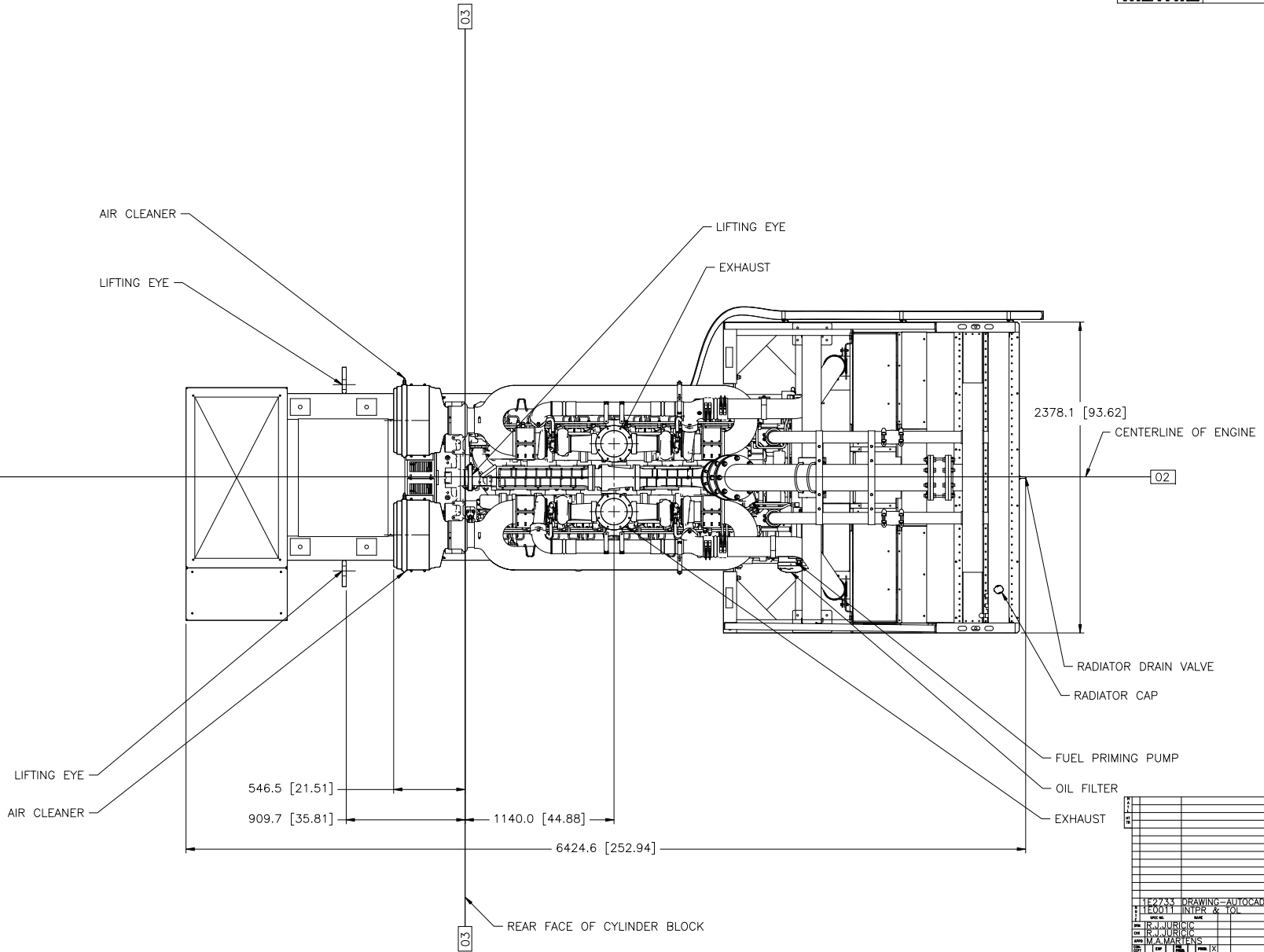
CATERPILLAR INC.
100 CATERSVILLE ROAD
PEASBURY, CT 06460
TEL: 860-581-4000 FAX: 860-581-3800
WWW.CATERPILLAR.COM

INSTALLATION ENGINE
PACKAGE GENERATOR SET
284-6051 - 1013 W284 E



CAT 3516C PACKAGE GENERATOR SET
 DWG# 284-6051 CHG 10
 METRIC [INCH]
 FRONT VIEW
 LA-5450 CHG 02 SHOWN

DATE			
DESCRIPTION			
BY			
CHECKED			
APPROVED			
SCALE	1:10		
DATE	02/09/00		
BY	OSJ/ANT		
CHECKED			
APPROVED			
CATERPILLAR INC.			
284-6051 - 10			



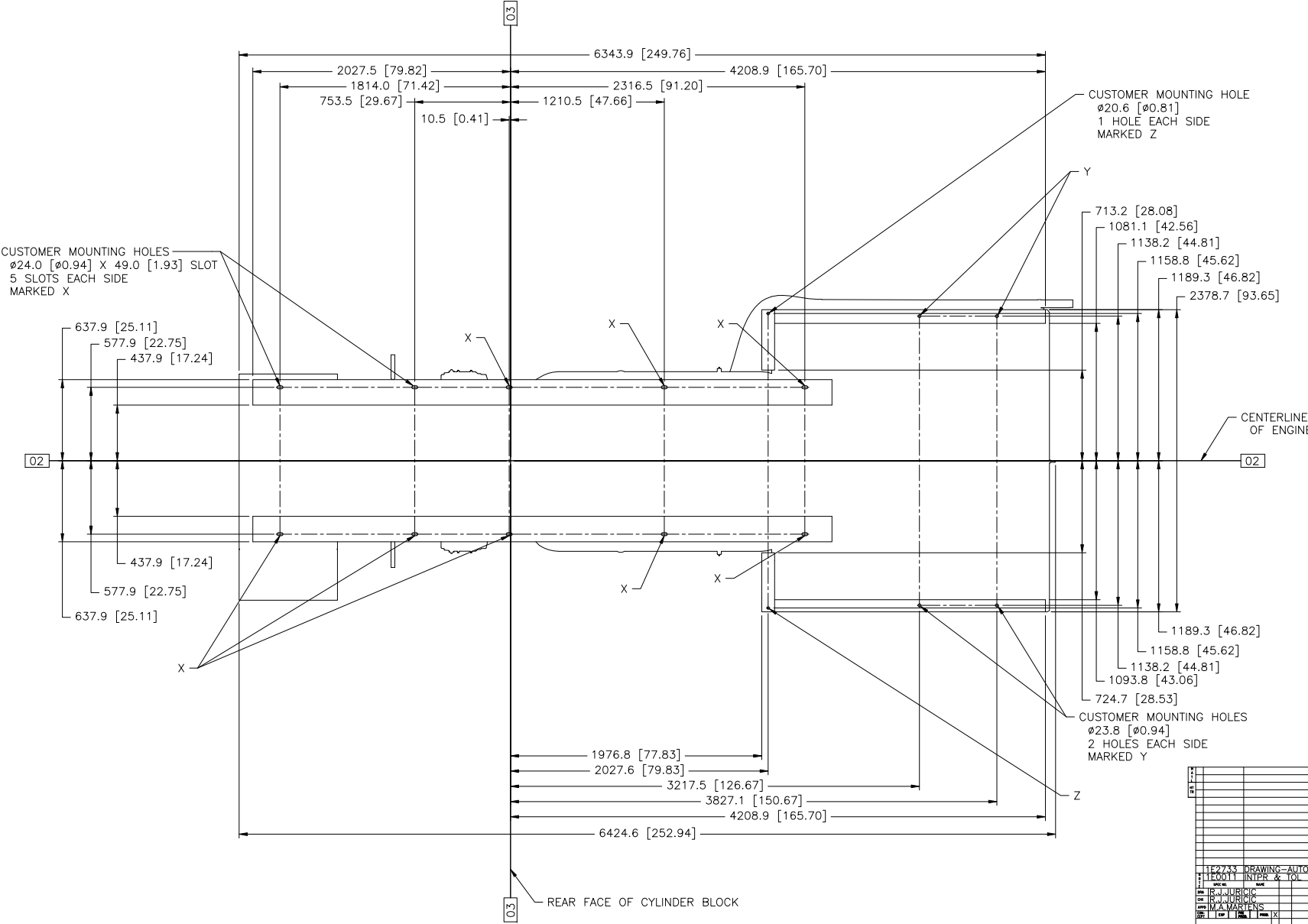
CAT 3516C PACKAGE GENERATOR SET
 DWG# 284-6051 CHG 10
 METRIC [INCH]
 TOP VIEW
 LA-5450 CHG 02 SHOWN

DATE	11/11/11	BY	OS/JAN/11
DRAWING		CHECKED	
REVISION		DATE	
1	ISSUE FOR CONSTRUCTION	11/11/11	OS/JAN/11

ILLUSTRATED BY: **OS/JAN/11**
 DRAWING: AUTOCAD
 FILED IN: INP & IOL
 UNIT: METRIC
 DRAWN BY: OS/JAN/11
 CHECKED BY: OS/JAN/11
 APPROVED BY: OS/JAN/11

ALL DIMENSIONS UNLESS OTHERWISE SPECIFIED
 ARE IN MILLIMETERS (INCHES ARE IN PARENTHESIS)
 DIMENSIONS ARE TO UNLESS OTHERWISE SPECIFIED

SCALE: 1:10
 PROJECTION: FIRST ANGLE
 SHEET 5 OF 9
CATERPILLAR INC.
 1055 W. GREENWOOD AVENUE
 PEORIA, ILLINOIS 61629
 U.S.A.
 INSTALLATION ENGINE
 PACKAGE GENERATOR SET
 284-6051 - 1055 W860



CAT 3516C PACKAGE GENERATOR SET
 DWG # 284-6051 CHG 10
 METRIC [INCH]
 FOOTPRINT
 LA-5450 CHG 02 SHOWN

DATE			
DRAWN BY			
CHECKED BY			
APPROVED BY			
SCALE	1:10		
TITLE	CAT 3516C PACKAGE GENERATOR SET FOOTPRINT		
PROJECT	CAT 3516C PACKAGE GENERATOR SET		
DWG NO.	284-6051	REV	10
DATE	10/28/01	BY	OSJAN11
DESCRIPTION	CAT 3516C PACKAGE GENERATOR SET FOOTPRINT		