

FCUL2 – UL LISTED FUEL TANKS



Image shown may not reflect actual package

CLOSED TOP DIKED SKID BASE FUEL TANK

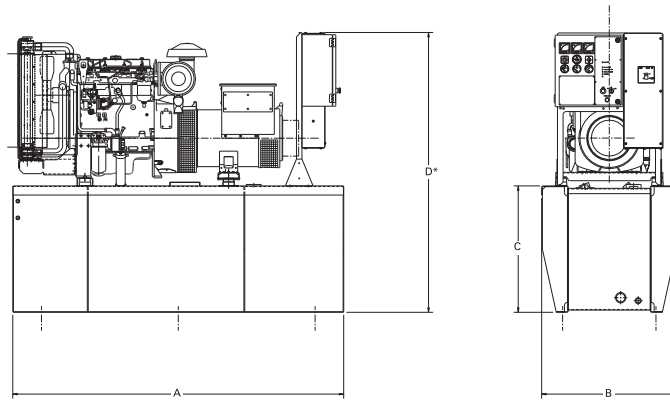
The generator set skid base contains an integral, UL listed, double walled, steel fuel storage tank with diked rupture basin for the containment of fuel resulting from a tank leak or rupture. The rupture basin is integrally vented and has a closed top to prevent the ingress of precipitation, debris or other elements. The tank is leak tested to 3 psi and pressure tested to 15 psi. The base tank is UL142 listed for Steel Above Ground Tanks for Flammable and Combustible Liquids under the “Special Purpose Tanks” category. They are intended for installation in accordance with the Flammable and Combustible Liquids Code, NFPA 30 of the National Fire Protection Association.

FCUL2 – Fuel capacity to provide typically 24 hour standby operation. See tables for actual fuel tank capacity and running hours.

FEATURES

CONSTRUCTION

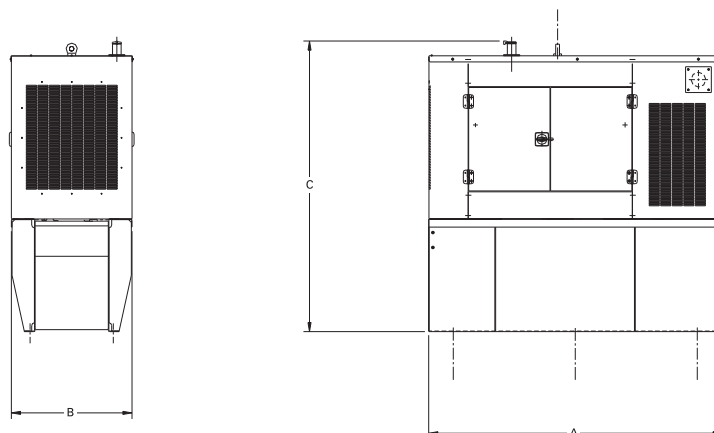
- Manufactured entirely from 8 gauge (4 mm) steel
- Continuously welded seams
- Formed steel channel type side beams
- Unitized load bearing structure
- Integral lifting points
- Corrosion resistant precoat
- Listed to UL142
- Closed top diked base tank, capacity 110%
- Continuous high gloss finish
- Polyester powder composite
- Extremely durable and corrosion resistant
- Unique integral base and tank design
- Developed specifically for open or enclosed generator sets
- Internal baffles arranged to prevent recirculation of heated return fuel
- Brass composite 2" filler cap
- Mechanical fuel gauge
- Primary vent with breather
- Vent located accessible for adapting to remote venting
- Venting areas to UL142 specifications
- Leak detection switch
- Emergency vent for main tank
- Weatherproof diked containment basin
- Removable base-end cover plate encloses stub-up area when used with enclosures
- Seismic Certification per applicable building codes: IBC 2000, IBC 2003, IBC 2006, IBC 2009, CBC 2007
- Tested and analyzed in accordance with: ASBE 7-98, ASBE 7-02, ASCE 7-05, ICC-ES AC-156
- Anchoring details are site specific, and are dependent on many factors such as generator set size, weight, and concrete strength. IBC Certification requires that the anchoring system used is reviewed and approved by a Professional Engineer.



OPEN GENERATOR SETS DIMENSIONS AND WEIGHTS WITH UL LISTED FUEL TANK

Generator Set Model	Working Tank Capacity, liters (US gallons)	Running Time, 75% Load (standby rating)	Running Time, 100% Load (standby rating)	Generator Dimensions, mm (in)				Weight ** kg (lb)
				Length	Width	Height FCUL2		
				FCUL2	FCUL2	FCUL2	A	B
D13-4	173 (46)	49.4	36.0	1900 (74.8)	900 (35.4)	265 (10.4)	1403 (55.2)	677 (1493)
D13-4S	173 (46)	49.4	36.0	1900 (74.8)	900 (35.4)	265 (10.4)	1403 (55.2)	677 (1493)
D20-6	173 (46)	35.3	26.6	1900 (74.8)	900 (35.4)	265 (10.4)	1403 (55.2)	751 (1656)
D20-6S	173 (46)	35.3	26.2	1900 (74.8)	900 (35.4)	265 (10.4)	1403 (55.2)	751 (1656)
D25-8	190 (50.2)	30.6	22.6	1908 (75.1)	950 (37.4)	510 (20.1)	1526 (60.1)	977 (2154)
D25-6S	190 (50.2)	30.6	22.6	1908 (75.1)	950 (37.4)	510 (20.1)	1526 (60.1)	977 (2154)
D30-10	190 (50.2)	26.0	18.8	1908 (75.1)	950 (37.4)	510 (20.1)	1526 (60.1)	987 (2176)
D30-10S	190 (50.2)	26.4	19.0	1908 (75.1)	950 (37.4)	510 (20.1)	1526 (60.1)	987 (2176)
D40-6	550 (145.3)	50.0	39.0	2208 (86.9)	1000 (39.4)	734 (26.9)	1999 (78.7)	1333 (2938.9)
D40-6S	550 (145.3)	49.1	37.9	2208 (86.9)	1000 (39.4)	734 (26.9)	1999 (78.7)	1333 (2938.9)
D50-6	550 (145.3)	41.7	31.6	2208 (86.9)	1000 (39.4)	734 (26.9)	1999 (78.7)	1353 (2982.9)
D50-6S	550 (145.3)	40.4	30.1	2208 (86.9)	1000 (39.4)	734 (26.9)	1999 (78.7)	1353 (2982.9)
D60-6	550 (145.3)	32.4	28.1	2208 (86.9)	1000 (39.4)	734 (26.9)	1999 (78.7)	1427 (3145.9)
D60-8S	550 (145.3)	32.2	27.9	2208 (86.9)	1000 (39.4)	734 (26.9)	1999 (78.7)	1427 (3145.9)
D80-6	720 (190)	37.9	29.4	2604 (102.5)	1100 (43.3)	870 (34.3)	2020 (79.5)	1527 (3366)
D80-2S	720 (190)	37.9	29.4	2604 (102.5)	1100 (43.3)	870 (34.3)	2020 (79.5)	1503 (3314)
D100-6	720 (190)	31.1	23.5	2604 (102.5)	1100 (43.3)	870 (34.3)	2020 (79.5)	1575 (3472)
D100-6S	720 (190)	31.3	23.7	2604 (102.5)	1100 (43.3)	870 (34.3)	2020 (79.5)	1635 (3605)
D125-6	1077 (284)	34.1	26.5	2930 (115.4)	1100 (43.3)	820 (32.3)	2013 (79.3)	1910 (4212)
D150-8	1077 (284)	29.3	24.1	2930 (115.4)	1100 (43.3)	820 (32.3)	2013 (79.3)	1970 (4344)
D175-2	1219 (322)	30.0	24.0	3290 (129.5)	1308 (51.5)	780 (30.7)	2057 (80.9)	2199 (4847)

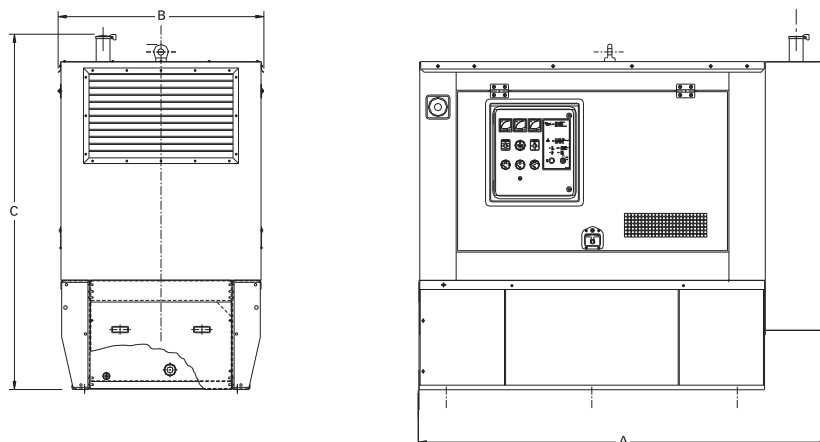
* "D" dimension is highest point on generator set and may be to either top of control panel or top of radiator depending upon model.
 ** Weight with lube oil and coolant



WEATHERPROOF ENCLOSED GENERATOR SETS WITH CAWB ENCLOSURE DIMENSIONS AND WEIGHTS WITH UL LISTED FUEL TANK

Generator Set Model	Working Tank Capacity, liters (US gallons)	Running Time, 75% Load (standby rating)	Running Time, 100% Load (standby rating)	Generator Dimensions, mm (in)			Weight * kg (lb)
				Length	Width	Height FCUL2	
				FCUL2	FCUL2	FCUL2	A
D40-6	547 (145)	49.7	38.8	2208 (86.9)	1000 (39.4)	2162 (85.1)	1440 (3174.7)
D40-6S	547 (145)	48.8	37.7	2208 (86.9)	1000 (39.4)	2162 (85.1)	1440 (3174.7)
D50-6	547 (145)	41.4	31.4	2208 (86.9)	1000 (39.4)	2162 (85.1)	1460 (3218.7)
D50-6S	547 (145)	40.2	29.9	2208 (86.9)	1000 (39.4)	2162 (85.1)	1460 (3218.7)
D60-6	547 (145)	32.2	27.9	2208 (86.9)	1000 (39.4)	2162 (85.1)	1522 (3355.4)
D60-8S	547 (145)	32.0	27.8	2208 (86.9)	1000 (39.4)	2162 (85.1)	1522 (3355.4)
D80-6	720 (190)	36.5	29.1	2604 (102.5)	1100 (43.3)	2286 (89.9)	1791 (3948)
D80-2S	720 (190)	36.5	29.1	2604 (102.5)	1100 (43.3)	2286 (89.9)	1767 (3896)
D100-6	720 (190)	30.4	24.2	2604 (102.5)	1100 (43.3)	2286 (89.9)	1839 (4054)
D100-6S	720 (190)	30.4	24.2	2604 (102.5)	1100 (43.3)	2148 (84.6)	1899 (4187)
D125-6	1077 (284)	34.1	26.5	2930 (115.4)	1100 (43.3)	2380 (93.7)	2347 (5175)
D150-8	1077 (284)	29.3	24.1	2930 (115.4)	1100 (43.3)	2380 (93.7)	2407 (5307)
D175-2	1219 (322)	30.0	24.0	3290 (129.5)	1308 (51.5)	2432 (95.7)	2655 (5853)

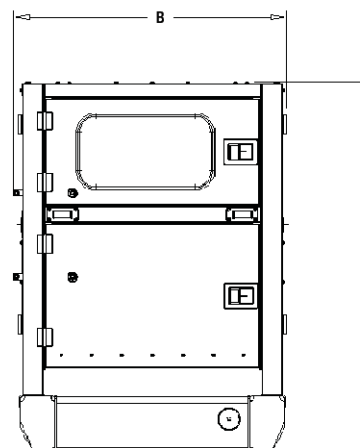
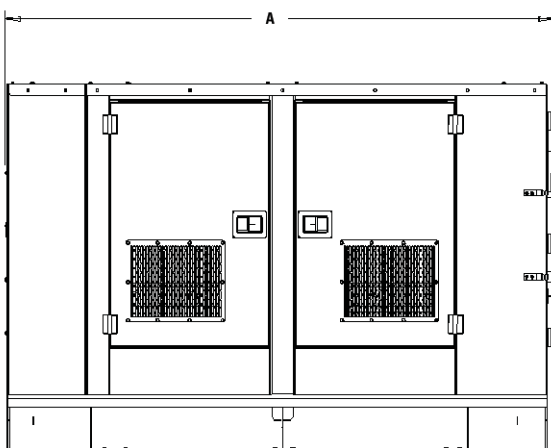
* Weight with lube oil and coolant



SOUND ATTENUATED ENCLOSED GENERATOR SETS WITH CAE/CAL ENCLOSURE DIMENSIONS AND WEIGHTS WITH UL LISTED FUEL TANK

Generator Set Model	Working Tank Capacity, liters (US gallons)	Running Time, 75% Load (standby rating)	Running Time, 100% Load (standby rating)	Generator Dimensions, mm (in)			Weight * kg (lb)
				Length	Width	Height FCUL2	
				FCUL2	FCUL2	FCUL2	A
D13-4	173 (46)	49.4	36.0	1680 (66.1)	860 (33.9)	1755 (69.1)	940 (2072)
D13-4S	173 (46)	49.4	36.0	1680 (66.1)	860 (33.9)	1755 (69.1)	940 (2072)
D20-6	173 (46)	35.3	26.6	1680 (66.1)	860 (33.9)	1755 (69.1)	1014 (2236)
D20-6S	173 (46)	35.3	26.2	1680 (66.1)	860 (33.9)	1755 (69.1)	1014 (2236)
D25-8	233 (62)	37.6	27.7	2100 (82.7)	970 (38.2)	1665 (65.6)	1061 (2339)
D25-8S	233 (62)	37.6	27.7	2100 (82.7)	970 (38.2)	1665 (65.6)	1061 (2339)
D30-10	233 (62)	31.9	23.1	2100 (82.7)	970 (38.2)	1665 (65.6)	1071 (2361)
D30-8S	233 (62)	32.4	23.1	2100 (82.7)	970 (38.2)	1665 (65.6)	1071 (2361)
D40-6	550 (145.3)	50.0	39.0	2275 (89.6)	1100 (43.3)	2048 (80.6)	1491 (3287.1)
D40-6S	550 (145.3)	49.1	37.9	2275 (89.6)	1100 (43.3)	2048 (80.6)	1491 (3287.1)
D50-6	550 (145.3)	41.7	31.6	2275 (89.6)	1100 (43.3)	2048 (80.6)	1511 (3331.2)
D50-6S	550 (145.3)	40.4	30.1	2275 (89.6)	1100 (43.3)	2048 (80.6)	1511 (3331.2)
D60-6	550 (145.3)	32.4	28.1	2275 (89.6)	1100 (43.3)	2048 (80.6)	1685 (3714.8)
D60-8S	550 (145.3)	32.2	27.9	2275 (89.6)	1100 (43.3)	2048 (80.6)	1685 (3714.8)
D80-6	788 (208)	40.0	31.9	2804 (110.4)	1100 (43.3)	2195 (86.4)	1866 (4114)
D80-2S	788 (208)	40.0	31.9	2804 (110.4)	1100 (43.3)	2195 (86.4)	1842 (4061)
D100-6	788 (208)	33.2	26.4	2804 (110.4)	1100 (43.3)	2195 (86.4)	1913 (4217)
D100-6S	788 (208)	33.2	26.4	2804 (110.4)	1100 (43.3)	2195 (86.4)	1974 (4352)
D125-6	1430 (378)	32.0	25.0	3900 (153.5)	1304 (51.3)	2408 (94.8)	3174 (6997)
D150-8	1430 (378)	32.0	25.0	3900 (153.5)	1304 (51.3)	2408 (94.8)	3174 (6997)
D175-2	1430 (378)	32.0	25.0	3900 (153.5)	1304 (51.3)	2408 (94.8)	3174 (6997)

* Weight with lube oil and coolant



XQ RENTAL GENERATOR SETS DIMENSIONS AND WEIGHTS WITH UL LISTED FUEL TANK

Generator Set Model	Working Tank Capacity, liters (US gallons)	Running Time, 75% Load (standby rating)	Running Time, 100% Load (standby rating)	Generator Dimensions, mm (in)			Weight** kg (lb)
				Length	Width	Height * FCUL2	
				FCUL2	FCUL2	FCUL2	A
XQ20	161 (42.5)	32.7	25	1980 (78)	820 (32.3)	1555 (61.2)	1110 (2447.1)
XQ30	172 (45.4)	23.9	27.5	2283 (90)	1130 (44.5)	1570 (61.8)	1597 (3520.8)
XQ45	483 (127.6)	39+	31+	2900 (114.2)	1130 (44.5)	2163 (85.3)	2006 (4422.5)
XQ60	483 (127.6)	28+	24+	2900 (114.2)	1130 (44.5)	2163 (85.3)	2128 (4691.4)
XQ80	634 (167.5)	32	25	3280 (129.1)	1130 (44.5)	1870 (73.6)	2445 (5390)
XQ100	634 (167.5)	27	21	3280 (129.1)	1130 (44.5)	1870 (73.6)	2495 (5501)
XQ175	998 (264)	24	19	3722.5 (146.55)	1157 (44.55)	2159.8 (85.03)	3145 (6934)

* Dimensions do not include trailer
 ** Weight with lube oil and coolant

Information contained in this publication may be considered confidential.
 Discretion is recommended when distributing.

Materials and specifications are subject to change without notice.
 CAT, CATERPILLAR, their respective logos, "Caterpillar Yellow," the "Power Edge" trade dress, as well as corporate and product identity used herein, are trademarks of Caterpillar and may not be used without permission.

www.Cat-ElectricPower.com

Market: N. America
 LEHE5371-11 (07-11)

© 2011 Caterpillar
 All Rights Reserved.
 Printed in U.S.A.