

SERVICE

Equipment Protection Plan

Global

Machines

Equipment Protection Plan Hydromechanical Work Tools

Overview

This bulletin addresses the components that are covered under the Hydromechanical Work Tools Equipment Protection Plan (Work Tool EPP). Tool categories eligible for enrollment in this program include:

- Grapples, Multi-processors, Pulverizers and Shears (Section 1)
- Hammers (Section 2)
- BCP Work Tools (Section 3)
 - Brushcutter, Mulcher, Stump Grinder, Angle Broom, Pickup Broom, Utility Broom, Cold Planer, Vibratory Compactor (Roller), Wheel Saw
- Forestry Work Tools (Section 4)
 - Felling Heads, Harvester Heads, Forestry Grapples

The following Program Guidelines are applicable to all eligible work tool categories. For ease of reference, covered component details have been listed in separate sections as identified above.

No other Work Tool families are eligible for enrollment in program.

► Program Guidelines

The Hydromechanical Work Tool EPP offers reimbursement for parts and/or labor cost for failure caused by defect in material and workmanship as defined in Warranty Bulletin 1.01. For program eligibility, the work tool life cycle must adhere to the required work tool operation and maintenance intervals documented in the Operation and Maintenance Manual (OMM).

Enrollment in Work Tool EPP is limited to serialized and scored tool models. Claims under this program should be submitted against the scored Work Tool's serial number. Refer to Warranty Bulletin 8.00, New Machine Equipment Protection Plan.

A list of eligible work tool models, coverage options, pricing, and administrative guidelines can be found on the "Hydromechanical Work Tools" page within dealer.cat.com.

(<https://dealer.cat.com/en/ps/esc-epp/machine-worktool/hydromechanical.html>)

► 08.09-03 (05/16)
<https://warranty.cat.com/wtyguide>

► Indicates change.

CAT, CATERPILLAR, their respective logos, "Caterpillar Yellow" and the "Power Edge" trade dress, as well as corporate and product identity used herein, are trademarks of Caterpillar and may not be used without permission.

Dealer and Dealers are defined as any Cat Authorized Dealer or Cat Authorized Repair Representative.

EPP Hydromechanical Work Tools

Work Tool EPP provides reimbursement for dealer labor during the Work Tool Warranty period. Beyond the Work Tool Warranty period, the program provides reimbursement for parts and labor cost for covered failures occurring during the remainder of the enrolled coverage period.

EPP Period

The coverage period starts from the product delivery date to the first customer or into the dealer rental fleet and includes the Caterpillar Standard Work Tool Warranty period. Coverage under EPP does not change the Caterpillar Standard Work Tool Warranty reimbursement rates. EPP expires when the length of time is reached.

General Exclusions and Limitations

The Hydromechanical Work Tool EPP does not cover any of the following:

1. Any coverage not identified and not enrolled in the manufacturer's enrollment program.
2. Lubricants and maintenance kits
3. Operator abuse or neglect, including but not limited to the failure to perform the recommended preventative maintenance as specified in the OMM.
4. Damage caused by failure to follow maintenance or repair procedures as specified in the OMM, to include but not limited to welding procedures.
5. Applications not approved by the manufacturer, including but not limited to steel mill, underwater, scaling, and tunneling.
6. Improper or abusive use of the Work Tool.
7. Operating at performance settings other than the standard manufacturer specification.
8. Operation beyond the design and/or capacity of the Work Tool including but not limited to:
 - Oil flow in excess of the Work Tool operating specifications
 - Contaminated or overheated oil from the carrier machine
 - Prying, striking, or lifting when not the Work Tool's design intent
 - Hammer blank firing
 - Demolition of concrete structures with the demolition and sorting grapple
 - Shearing of material that exceeds limits as specified in the OMM
9. Operating Work Tools with improper fluid levels or contaminated fuel, fluids or filters.
10. Wear-out and normal deterioration.
11. Chemical corrosion and physical or mechanical erosion.
12. Acts of war, vandalism, riot, theft, explosion, collision, fire and/or any other act of nature, person or vermin.
13. Modifications, unless the modifications were authorized at the request of Caterpillar and performed at an approved repair facility, including but not limited to welding to add buildup material or hard surfacing.
14. Physical Damage
15. Damage to the carrier machine caused by the Work Tool.
16. Loss of time, inconvenience, downtime or downtime-related expenses, or other incidental or consequential loss that results from a defect in material or workmanship.
17. Performance complaints not due to defect in material or workmanship.
18. Storage or miscellaneous shop supply charges.
19. Freight and taxes.
20. Costs covered by any warranty of the manufacturer or repairer's guarantee regardless of whether they honor such warranty or guarantee.

For work tools enrolled in the Hydromechanical Worktools EPP, please refer to the Contractual Liability Policy (CLIP) for a complete list of exclusions and limitations. In the event of any ambiguity, the CLIP will govern. Additional information on the CLIP policy may be obtained by contacting your dealership's designated Warranty Manager.

The Hydromechanical Work Tools EPP does not cover failure of any components as a result of not performing scheduled maintenance. The dealer may be required to provide proof of compliance with the maintenance schedules at the time of a failure. Proof may include receipts or copies of work orders or invoices showing the performed maintenance services.

Wear-out and Extent of Coverage

Wear-out and/or deterioration are not covered by the Hydromechanical Work Tools EPP. The intent is not to restore the product to a like-new condition, but rather to restore the product to its operating condition just prior to the covered failure.

The Hydromechanical Work Tools EPP covers only the repair or replacement of the failed component and any resultant-damaged parts. Other parts removed in the process of repair will be reinstalled as is, unless the customer authorized the additional cost for their account.

Example: While performing a hammer inspection and reseal, the dealer technician notices worn or damaged hydraulic hoses, top buffer, side buffer, wear plates or cracks on housing. He also notices the wear on upper bushing, lower tool bit bushing, retainer pins, thrust bushing or auto lube system and replaces these components to avoid further downtime.

In this example, the components identified as worn or damaged cannot be claimed to Caterpillar, because they did not have a defect and are worn as a result of operation. They were repaired or replaced as a result of the customer responsibilities for assuring all recommended operational methods are used and preventative maintenance is performed per schedules.

Customer's Responsibilities

The customer is responsible for assuring all recommended preventative maintenance is performed at the specified service intervals as described in the OMM.

Parts Book Component Codes

At the bottom of each page on all Cat® Parts Books (paper or electronic), is printed a four-digit numeric SMCS component code. These component codes are used to describe the area of primary use for the parts and/or components listed on that page. The SMCS component codes can be used as a mechanism for helping to determine if a failed part may be considered part of the work tool.

On the following pages are the SMCS component codes in numeric order that Caterpillar considers part of each work tool.

NOTE: Sometimes a parts book page with an acceptable work tool component code may include parts that are not covered, or may include parts that are broken out on another parts book page. Additionally, there may be instances of a non-acceptable component code containing parts that may qualify for work tool coverage.

Covered Components

On the following pages are the components eligible for coverage. Lists are all-inclusive for the applicable family of Work Tools, resulting in some identified components being applicable only to certain models. For clarification regarding coverage, please submit a ticket to the Warranty Service Desk.

► **Section 1 - Multi-Processors, Grapples, Pulverizers, Crushers, and Shears**

Multi-processor

The following major component categories are covered in the Multi-processor EPP: frame, cylinder, rotator, swivel, hoses, and pins. EPP does not cover wear parts including but not limited to jaws, crusher tooth, cutter and cutting edge.

- 5051 Hydraulic Control Valve
- 5057 Hose
- 5060 Swivel
- 5082 Motor
- 5264 Valve
- 5325 Speed Control Valve
- 5362 Work Tool Cylinder
- 6326 Rotator
- 6348 Multi Processor

Demolition, Sorting, and Contractor Grapple

The following major component categories are covered in the Demolition and Sorting Grapple EPP: housing, shell, push bar, cylinder, rotator, swivel, hoses, bearings and bushings. EPP does not cover wear parts including but not limited to cutting edges.

- 5057 Hose
- 5060 Swivel
- 5082 Motor
- 5117 Pressure Control/Relief Valve
- 5362 Cylinder
- 6307 Grapple
- 6326 Rotator
- 7063 Swing Gear/Bearing

Orange Peel Grapple

The following major component categories are covered in the Orange Peel Grapple EPP: shells, cylinders, rotator, hoses and pivot pins. EPP does not cover wear parts including but not limited to tips.

- 5057 Hose
- 5060 Swivel
- 5082 Motor
- 5264 Hydraulic Manifold
- 5362 Cylinder
- 6307 Grapple
- 6326 Rotator

Hydraulic Pulverizer

The following major component categories are covered in the Hydraulic Pulverizer EPP: housing, jaw, cylinder, bushings, and hoses. EPP does not cover wear parts including but not limited to crusher and ripper teeth and cutting edges.

- 5057 Hose
- 5325 Valve
- 5362 Cylinder
- 6345 Concrete Pulverizer
- 6349 Jaw

Hydraulic Concrete Crusher and Hydraulic Shear

The following major component categories are covered in the Hydraulic Concrete Crusher EPP: housing, jaw, cylinder, rotator, hoses, and bushings. EPP does not cover wear parts including but not limited to crusher and ripper teeth, and cutting edges.

- 5051 Hydraulic Control Valve
- 5057 Hose
- 5060 Swivel
- 5082 Motor
- 5325 Valve
- 5362 Cylinder
- 6326 Rotator
- 6344 Hydraulic Shear
- 6345 Concrete Pulverizer
- 6349 Jaw

Additional Multiprocessor Customer's Responsibilities

The customer is responsible for preventive maintenance that includes, but is not limited to bushing lubrication, rotator gear and bearing lubrication and rotator head bolt inspection.

Multi-processor

The customer is responsible for preventive maintenance that includes, but is not limited to, bushing lubrication, rotator gear and bearing lubrication and rotator head bolt inspection.

Demolition, Sorting and Contractor Grapple

The customer is responsible for preventive maintenance that includes, but is not limited to, bearing and bushing lubrication, rotator gear and bearing lubrication and rotator head bolt inspection.

Orange Peel Grapple

The customer is responsible for preventive maintenance that includes, but is not limited to pivot pin lubrication, rotator gear and bearing lubrication and rotator head bolt inspection.

Hydraulic Pulverizer

The customer is responsible for preventive maintenance that includes, but is not limited to bushing lubrication.

Hydraulic Crusher and Hydraulic Shear

The customer is responsible for preventive maintenance that includes, but is not limited to bushing lubrication, rotator gear and bearing lubrication.

Section 2 - Hydraulic Hammers

The following are the major components covered under the Hydraulic Hammer EPP:

- Accumulator
- Valve body
- Piston
- Cylinder or Cylinder Sleeve
- Seal Carrier
- Front Head
- Distributor

Note: Other groups / components not identified above, or not included within the images shown within the "Hammer Components" section, are not covered by Hammer EPP.

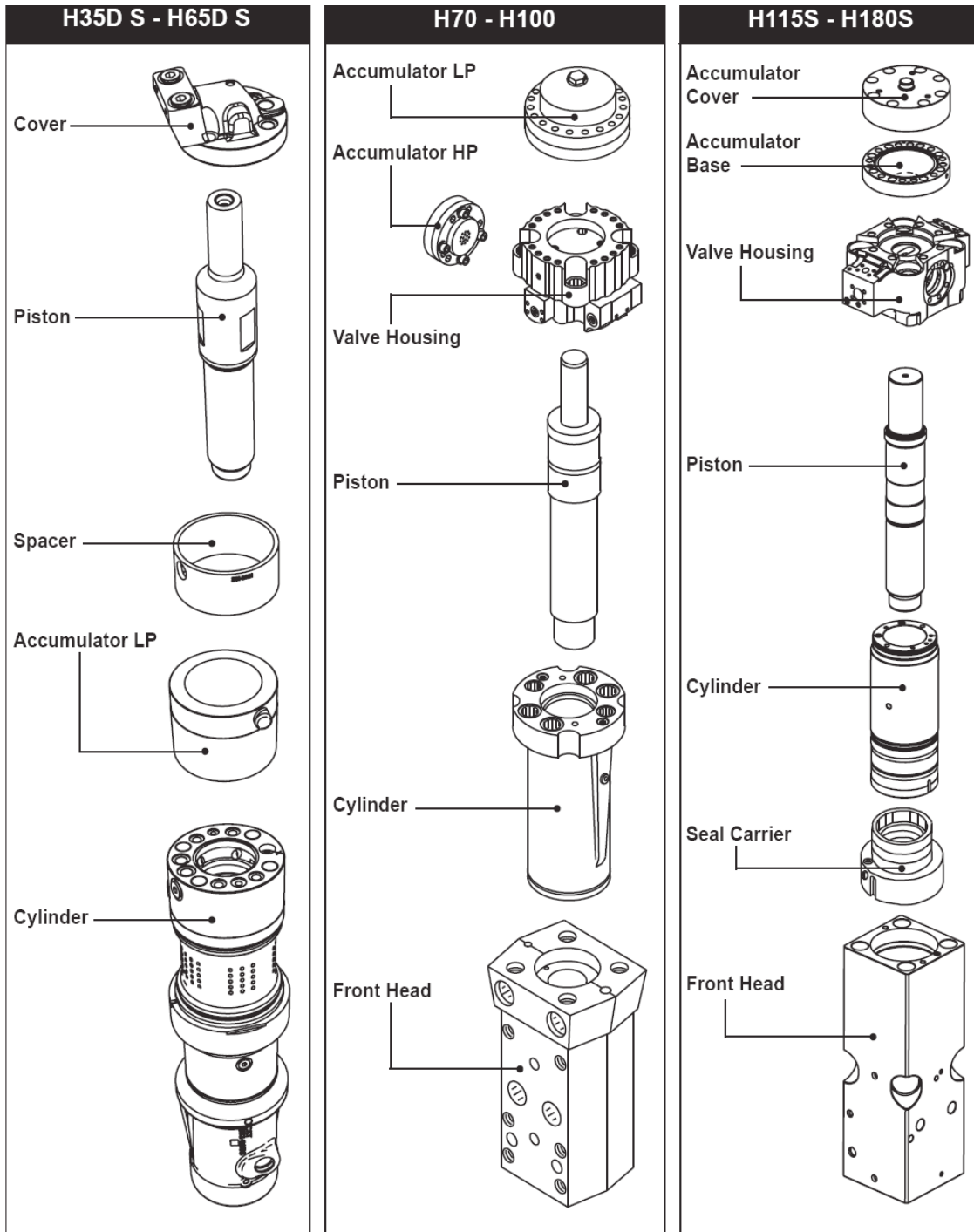
Excluded Components from within Groups / Assemblies Noted Above:

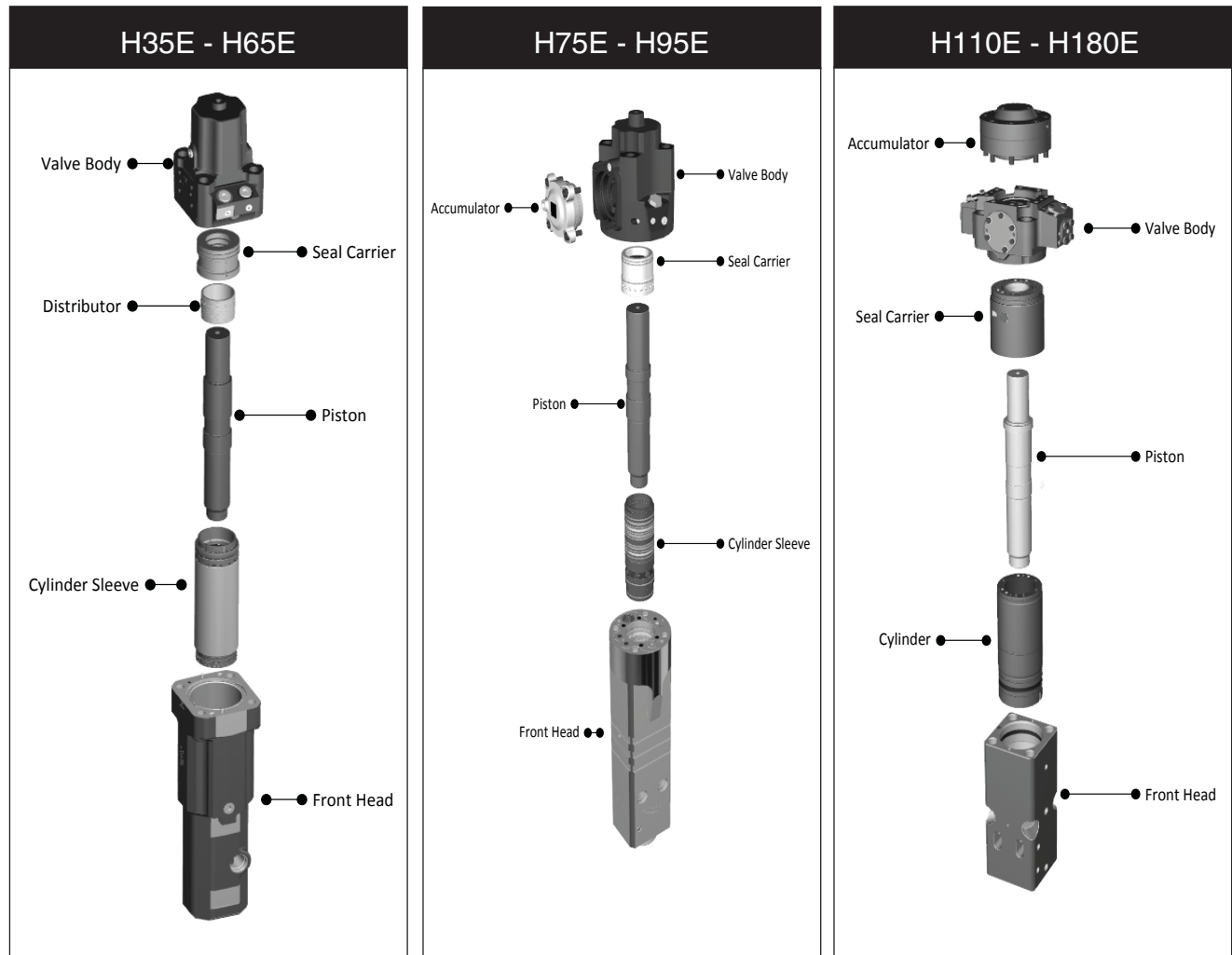
- Seals, membranes, o-rings, plugs
- Wear components and bushings
- Valve body: components utilized for directional control of oil flow

Other Ineligible components include (but are not limited to):

- Hammer housing
- Tie Rods, nuts, and related parts
- Tool bit, tool bit retention systems, tool bit bushings

Hammer Components





Additional Hammer Customer Responsibilities

Preventative maintenance includes, but is not limited to the servicing, adjusting and/or replacing of specified components: greasing every two hours with Cat hammer grease, or any equivalent hammer grease, is acceptable, removal of the tool bit for inspection of the lower tool bit bushing every 50 hours, rotating or replacing the bushing based on wear measurements, resealing every 1000 machine hours or one year, whichever comes first, and proper storage when not in use.

The hammer must be stored in a vertical position with hydraulic ports capped and the exposed piston area coated with anti-rust compound to prevent rust and corrosion. The proper oil quality and filter replacement schedule are required. If the hammer is moved to a different carrier machine that carrier machine must be validated for correct hydraulic specifications.

Section 3 - BCP Hydromechanical Work Tools

General Covered Components

The following components are included within EPP coverage. Reference each Work Tool's "Included Groups / Assemblies" section for additional component coverage detail.

- Hydraulic motors
- Hydraulic cylinders
- Hydraulic valves
- Final drive components and bearings

General Component Exclusions

The components listed below, and resultant damage due to failure of these components, are excluded from EPP coverage for all Work Tools identified within this bulletin:

- Wear parts including (but not limited) to Blades, Teeth, Tips, Cutting edges, Bristles, etc.
- Plates and Covers
- Hydraulic Hoses / Groups
- Seals, O-Rings, and Gaskets (and Related Groups or Kits)
- Grease Fittings
- Plugs / Ports / Related Assemblies
- Bolt Studs

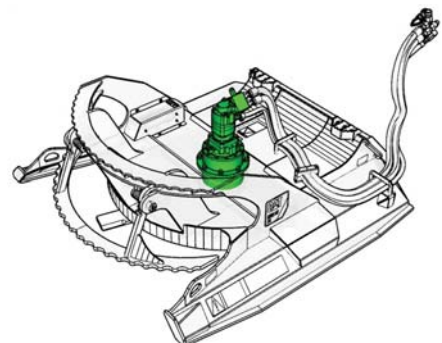
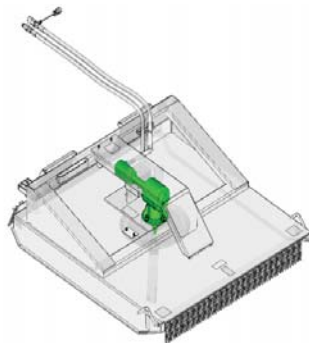
Brushcutter

The following major component categories are covered in the Brushcutter EPP:

- Drive Group and related Hardware

Additional Excluded Components from within Groups / Assemblies Noted Above

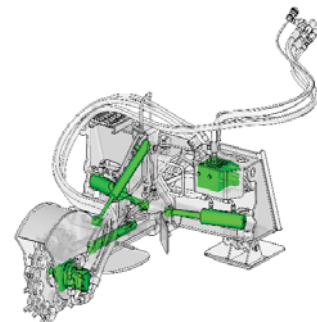
- Blade Mounting Pin
- Carrier Assembly
- Blade



Stump Grinder

The following major component categories are covered in the Stump Grinder EPP:

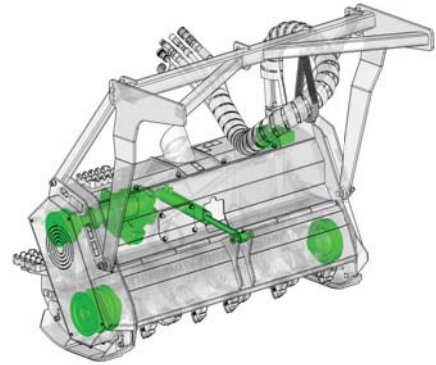
- Hydraulic Cylinder Groups - Swing, Extension and Depth
- Motor Group – Gerotor
- Control Manifold Group (to include Valve Groups / Assemblies)
- Hardware related to above components



Mulcher

The following major component categories are covered in the Mulcher EPP:

- Mulching Head - Drive Group
- Mulching Head Arrangement - Rotary Cutter Group
- Mulching Head Group – Rotary Cutter Drum Group
- Mulching Head – Hydraulic Group, and Piston
- Hardware related to above components



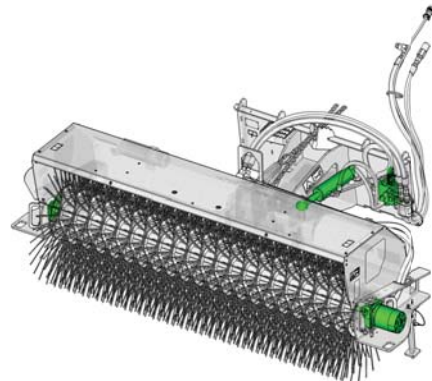
Additional Excluded Components from within Groups / Assemblies Noted Above

Mulching Head – Drive Group	Mulching Head Arrangement – Rotary Cutter Group
<ul style="list-style-type: none"> • Belt Tensioner Plate & related hardware 	<ul style="list-style-type: none"> • Tooth Assemblies & Holders
<ul style="list-style-type: none"> • Belt Drive, and related hardware 	
<ul style="list-style-type: none"> • Pulley Adapters 	
<ul style="list-style-type: none"> • Hose Assemblies 	
<ul style="list-style-type: none"> • Housing Plate Assembly 	

Angle Broom (Hydraulic & Manual) (effective 01Jan2015)

The following major component categories are covered in the Angle Broom EPP:

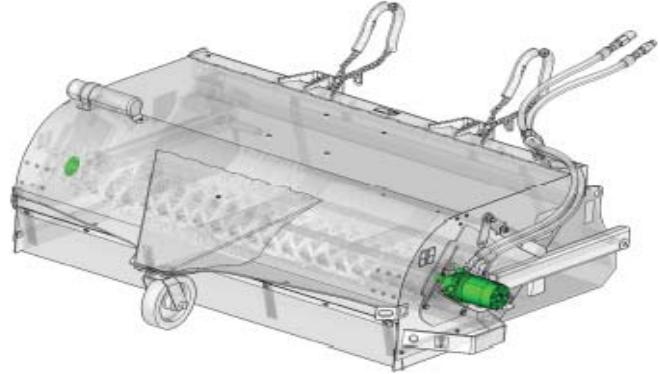
- Drive Motor Group
- Drum Bearing
- Hydraulic Angle Broom: Control Manifold Group (to include Valve Groups / Assemblies)
- Hydraulic Angle Broom: Hydraulic Cylinder Group
- Hardware related to above components



Pickup Broom (effective 01Jan2015)

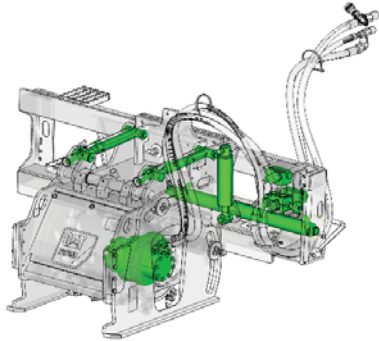
The following major component categories are covered in the Pickup Broom EPP:

- Drive Motor Group
- Drum Bearing
- Hardware related to above components

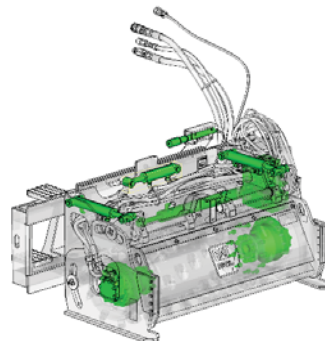


Cold Planer

PC104B & 205B



PC305B – PC14B



The following major component categories are covered in the Cold Planer EPP:

- Cylinder and Mounting Groups – Depth, Side shift, Rotate
- Leveler Spring & Mounting Group (PC104B and PC205B)
- Drive Group
- Manifold Control Group & Control Valves / Groups
- Pressure Gauge Indicator Group (PC412)
- Manual Depth Adjuster
- Hardware related to above components

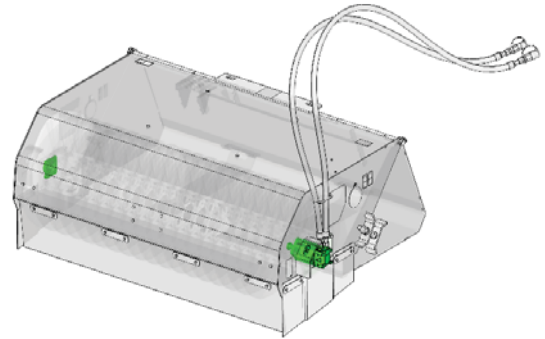
Additional Excluded Components from within Groups / Assemblies Noted Above

- Depth Cylinder Rod Mounting Block (PC104B and PC205B)
- Depth Indicator
- Connectors, Connector Assemblies

Utility Broom

The following major component categories are covered in the Utility Broom EPP:

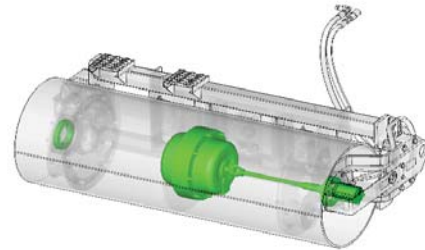
- Brush Group Housing Assembly
- Brush Group Bearing
- Motor Group – Gerotor
- Hardware related to above components



Vibratory Drum Compactor

The following major component categories are covered in the Vibratory Drum Compactor EPP:

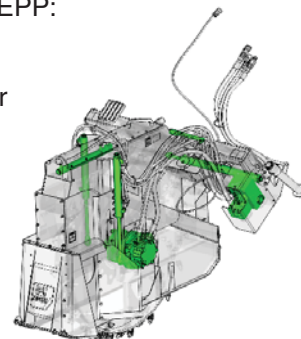
- Motor Group
- Drive Shaft Housing Group & Components
- Drum Support Group Bearing
- Hardware related to above components



Wheel Saw

The following major component categories are covered in the Wheel Saw EPP:

- Piston Motor Group
- Cylinder and Mounting Groups – Depth, Side Shift, and Trench Cleaner
- Manifold Control Group (and related Valves / Valve Groups)
- Gauge Group
- Hardware related to above components



Section 4 – Forestry Work Tools

General Covered Components

The following components are included within Forestry Work Tools EPP coverage for all eligible families.

- Hydraulic motor groups
- Hydraulic cylinder groups
- Hydraulic accumulator groups
- Hydraulic hoses
- Hydraulic valve and manifold groups

General Component Exclusions

The components listed below, and resultant damage due to failure of these components, are excluded from EPP coverage for all Work Tools identified within this bulletin:

- Wear parts including (but not limited) to Blades, Knives, Teeth, Tips, Cutting edges, etc.
- Plates and Covers

Feller Heads, Harvester Heads and Forestry Grapples

On eligible Feller Heads, Harvester Heads and Forestry Grapples, the following major component categories are covered under Work Tools EPP:

- Rotator Group
- Swivel Group
- Feed Roller Arm Group
- Grapple Arm Group
- Harvester Head Control Group
- Frame Group
- Damper Group
- Chain Saw and Tensioner Group

The components listed below, and resultant damage due to failure of these components, are excluded from EPP coverage for Feller Heads, Harvester Heads and Forestry Grapples:

- Work Tool Adapter Group
- Linkage Group
- Delimber Knives
- Chain Saw Bars/Chains
- Disc Saw Teeth